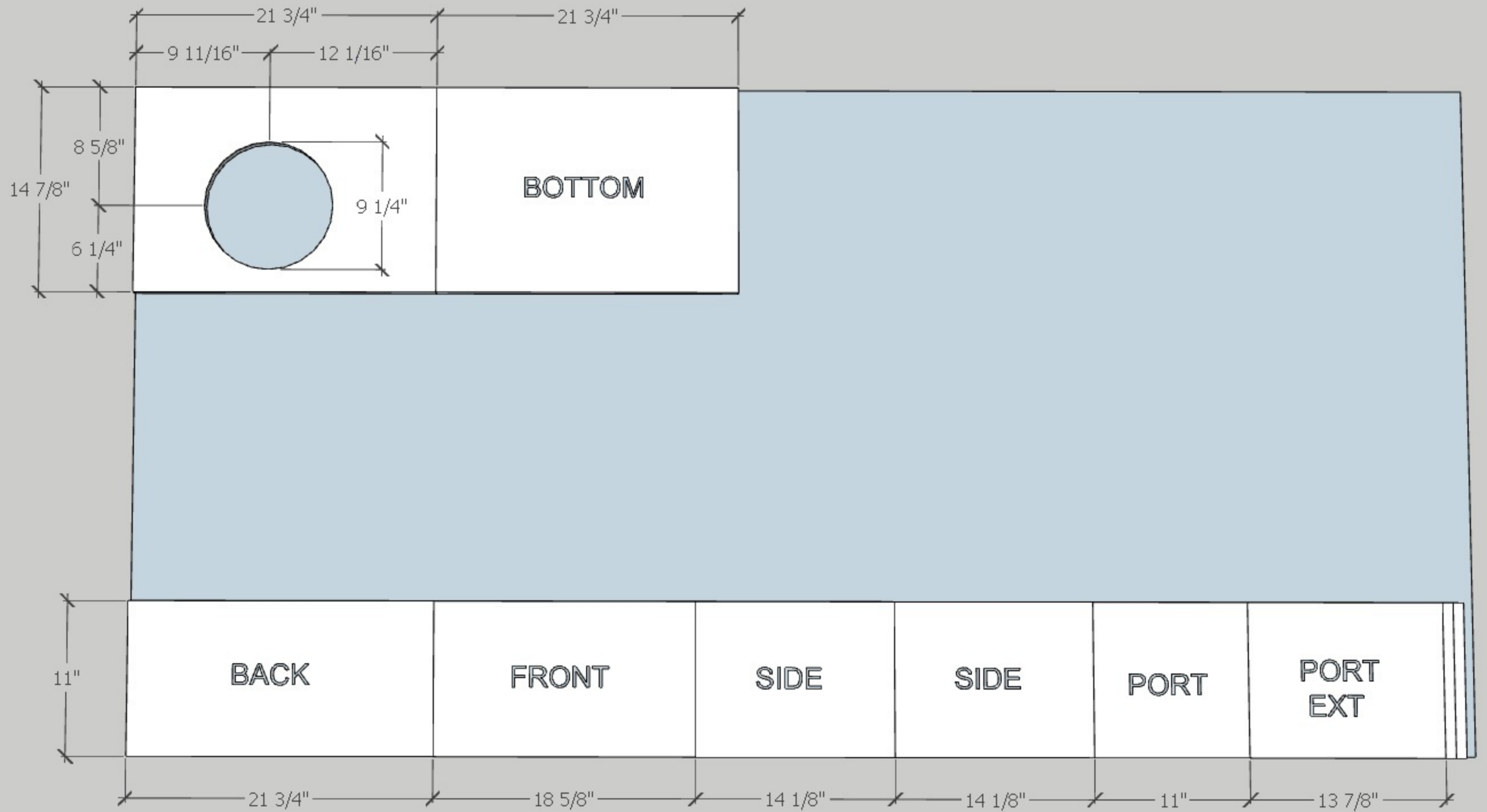
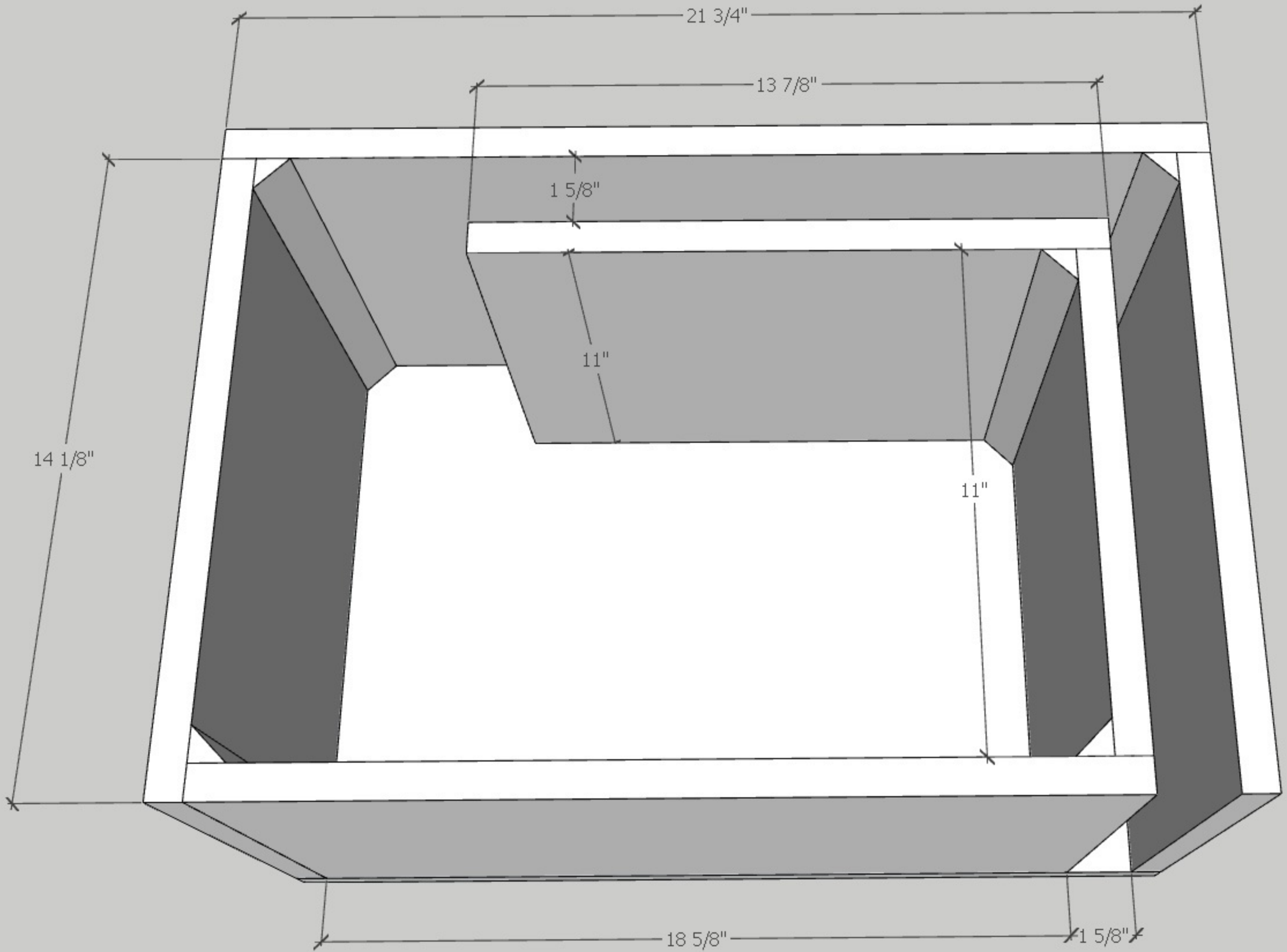
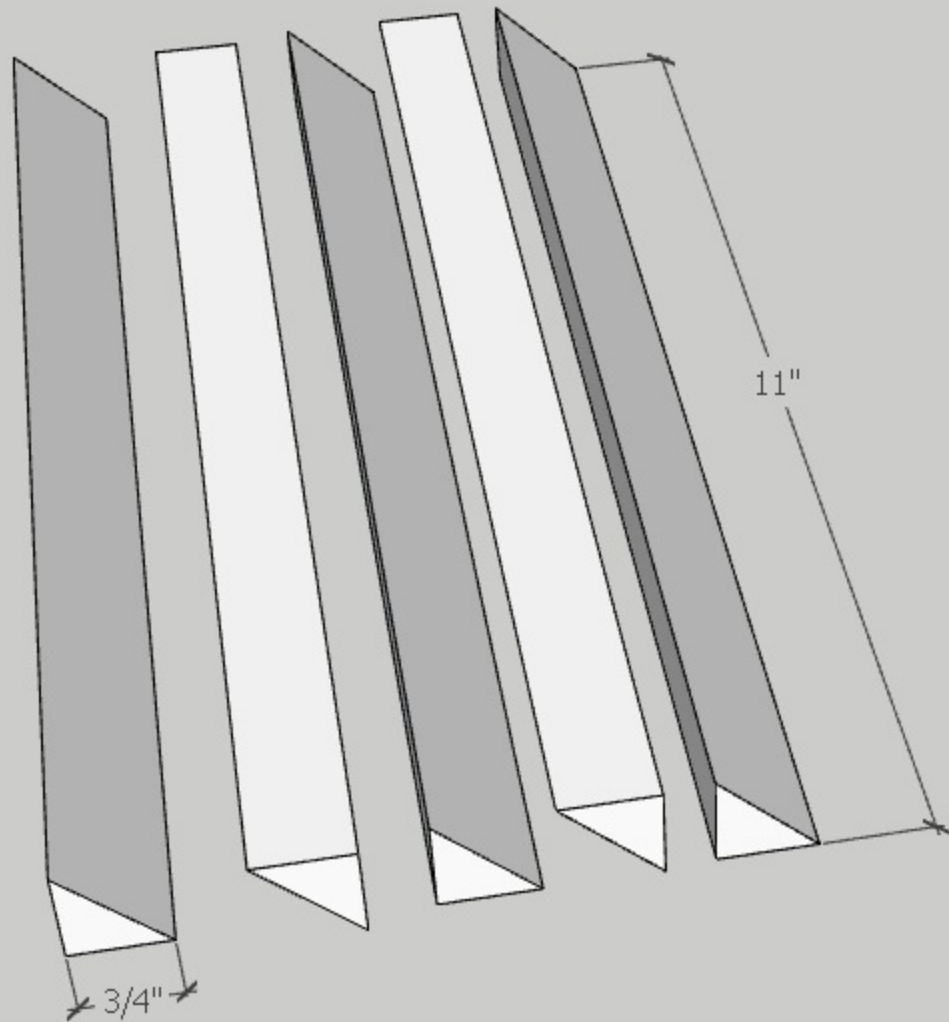


**VOLUME: 1.25cf net**  
**TUNING: 35 Hz**  
**PORT AREA: 17.88in<sup>2</sup>**  
**(14.3in per cube)**







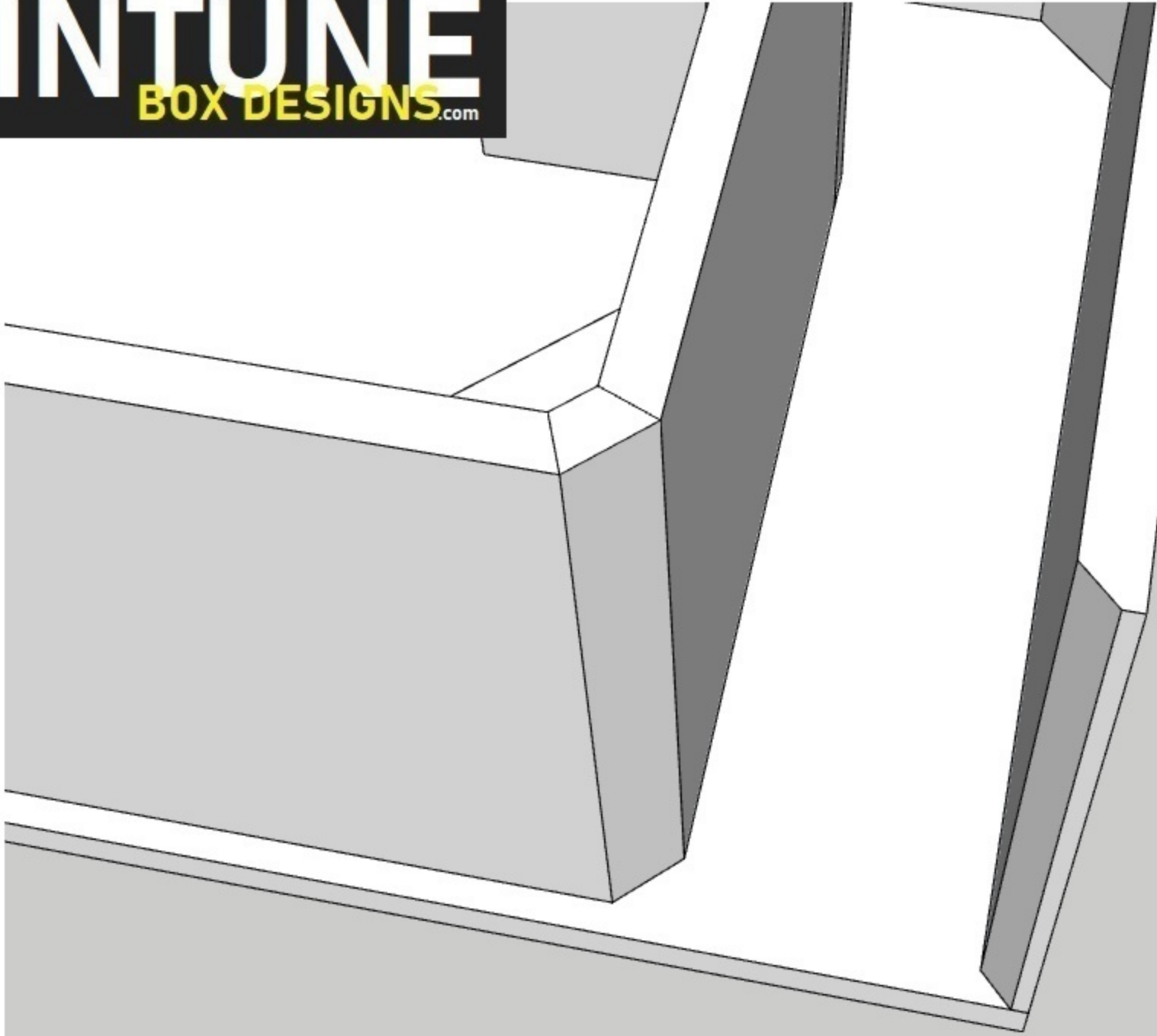
Thank you for ordering a DIY blueprint design from Intune!

My blueprints are formatted for all skill levels. Build the design as a cookie cutter basic enclosure tuned for your specific subwoofer or customize it with windows, kerf ports, and many other advanced options included with your blueprint.

To prevent any structural issues with your enclosure, I recommend using screws and glue with 3/4in Radiata Pine plywood. Or if you plan to stain your enclosure, use 13-ply Baltic birch plywood from a cabinet shop or plywood distributor. Never use MDF or import birch from big box stores with heavy weight subwoofers. If it's going to hold up while crossing rail road tracks, you will need 2in screws with proper torque applied without stripping.

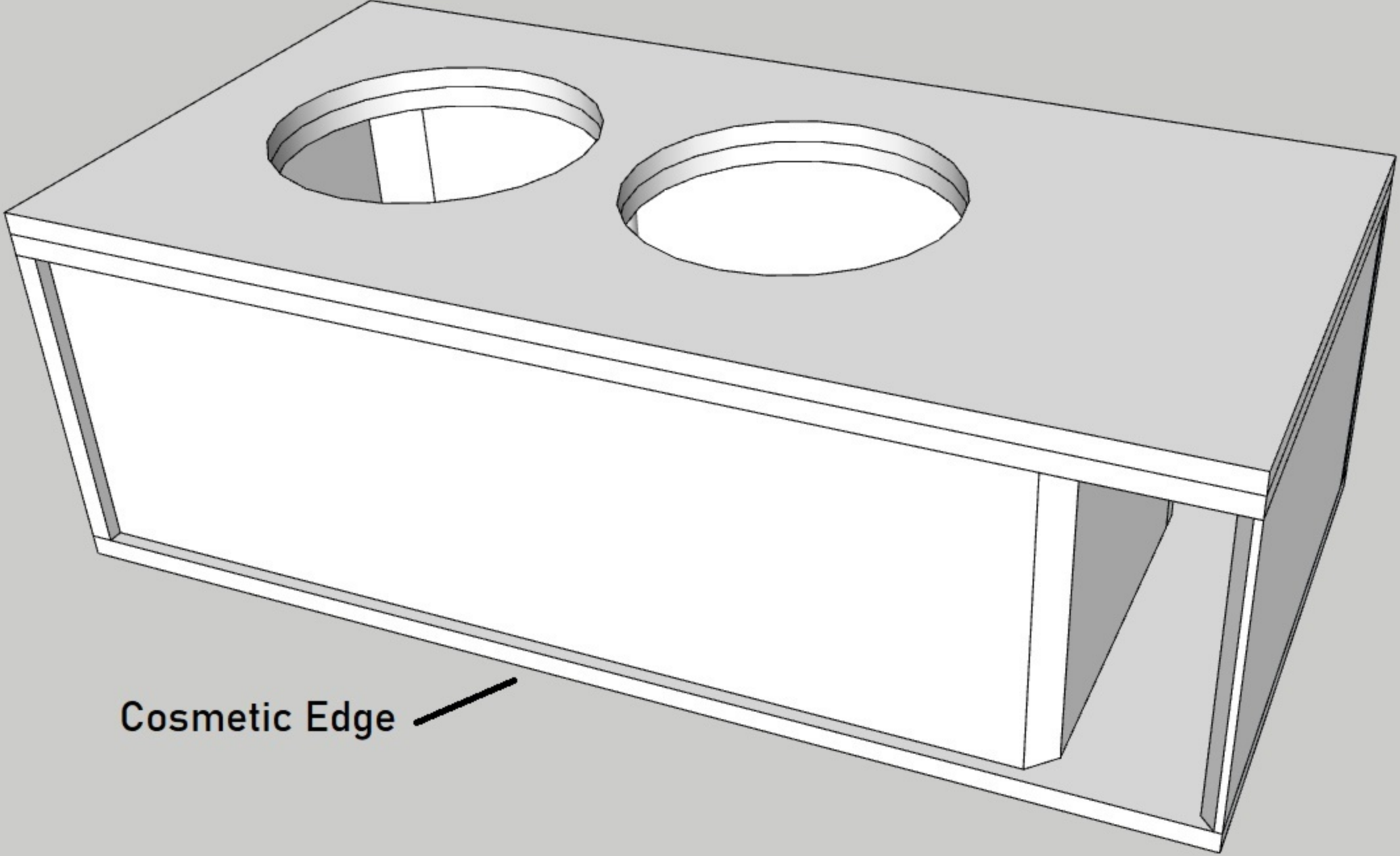
Thanks again,

John Wright - owner  
Intune Box Designs  
IntuneBoxDesigns@Gmail.com



Flared Port Opening

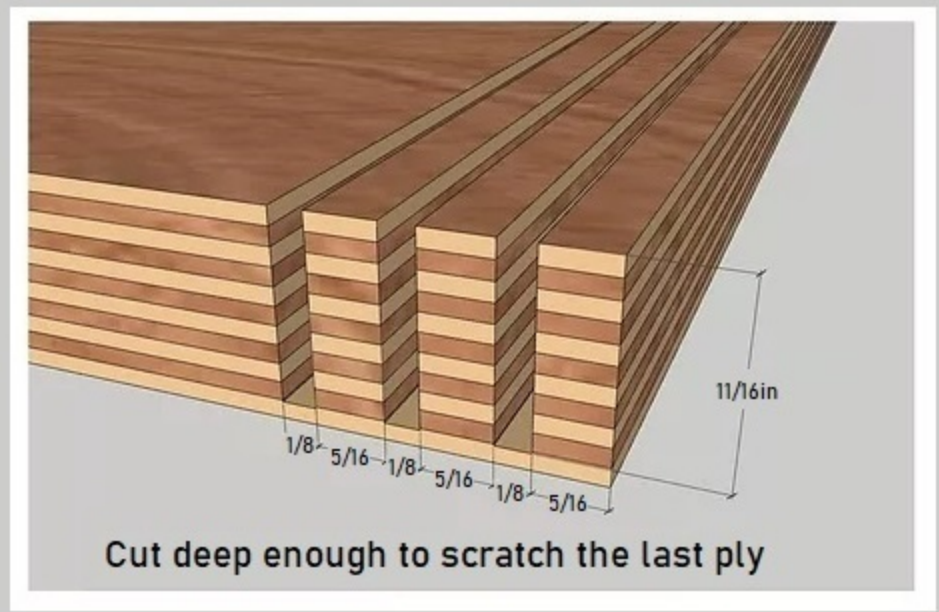
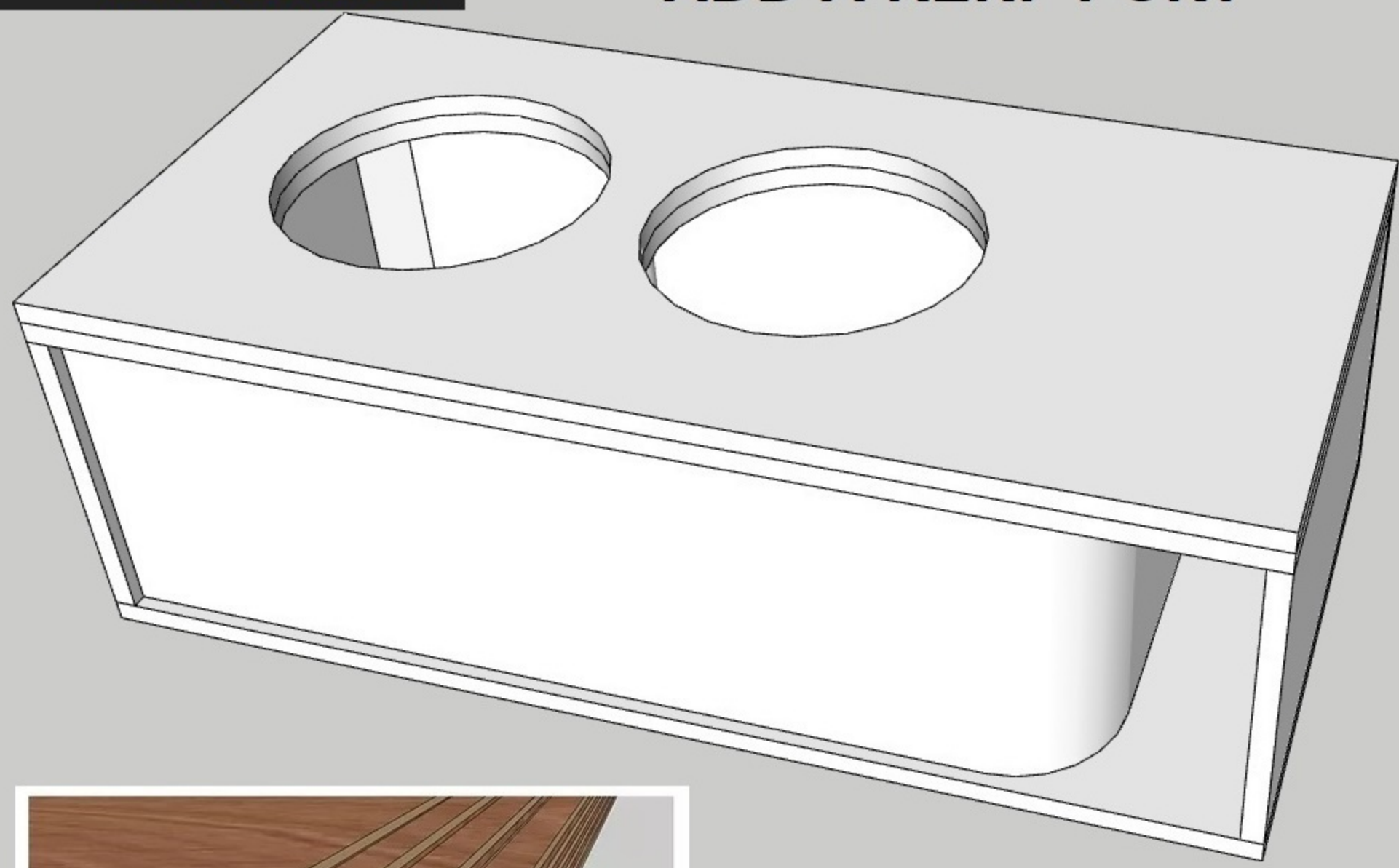
Prevents port  
unwanted noise



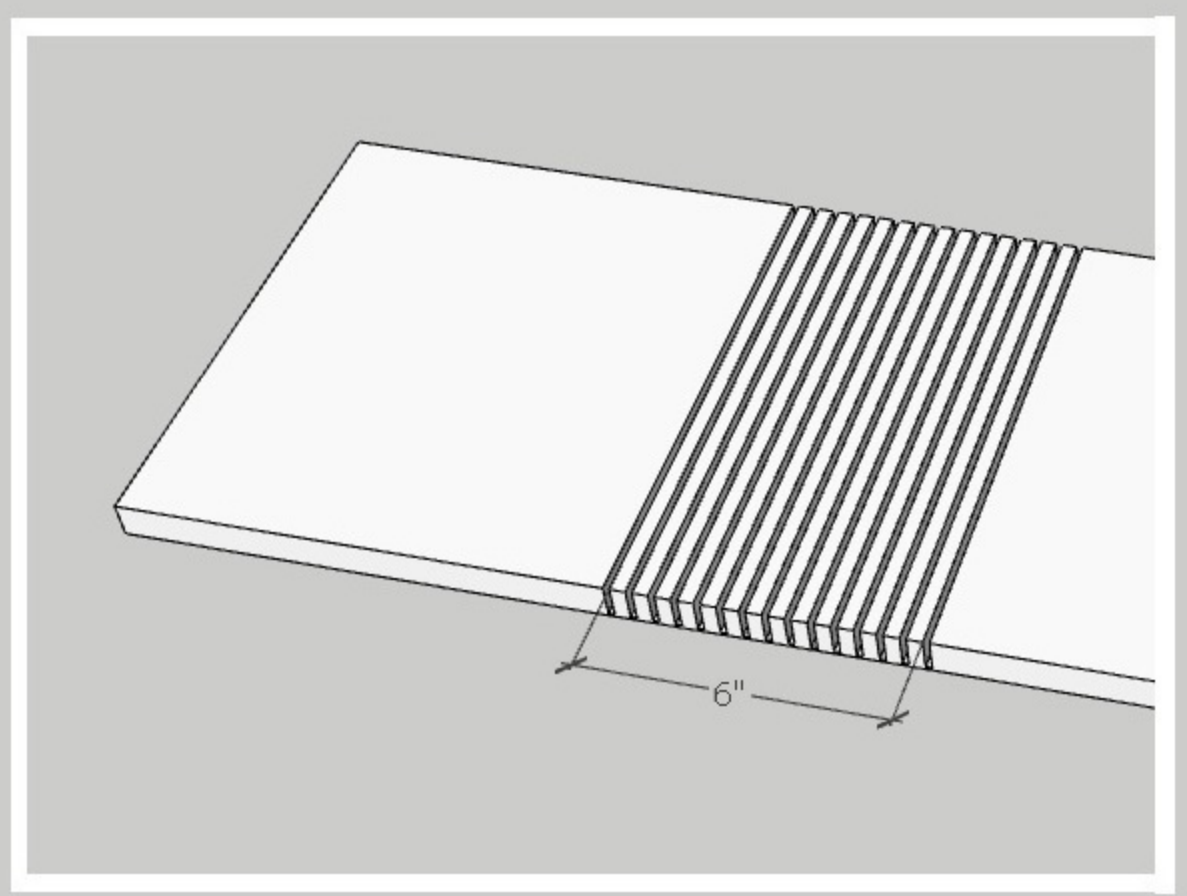
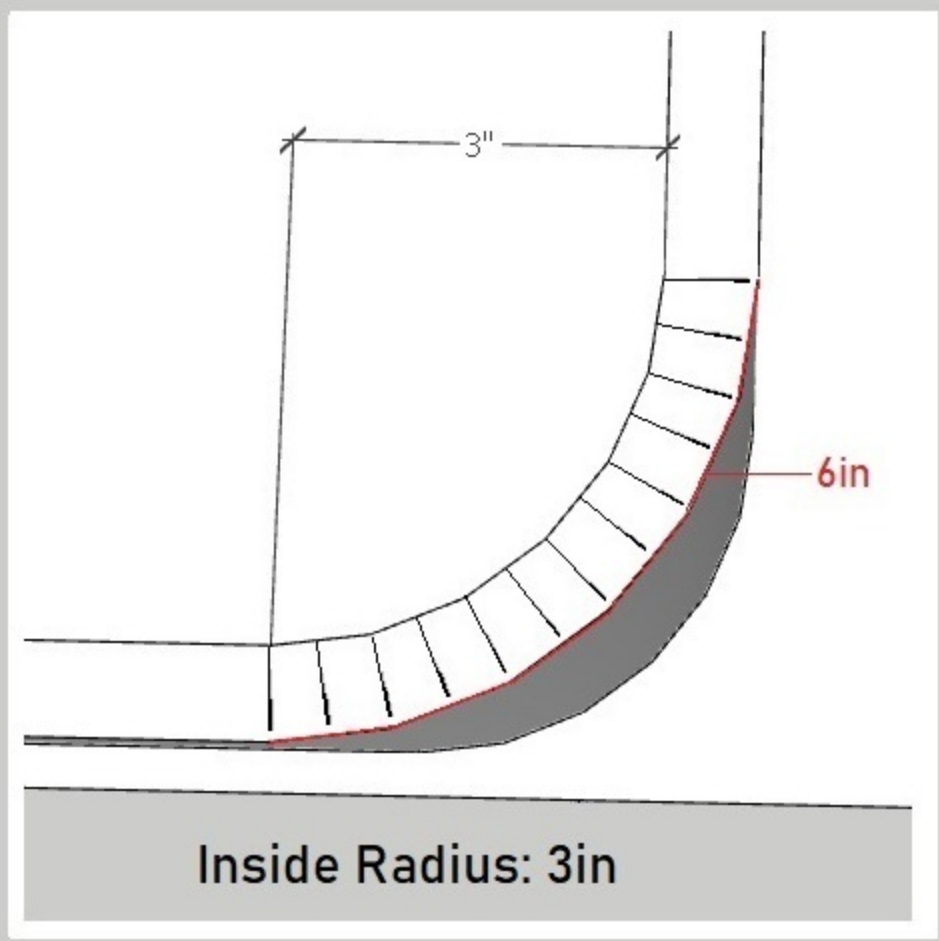
Cosmetic Edge

Simply add 1/2in to give your enclosure a nice look

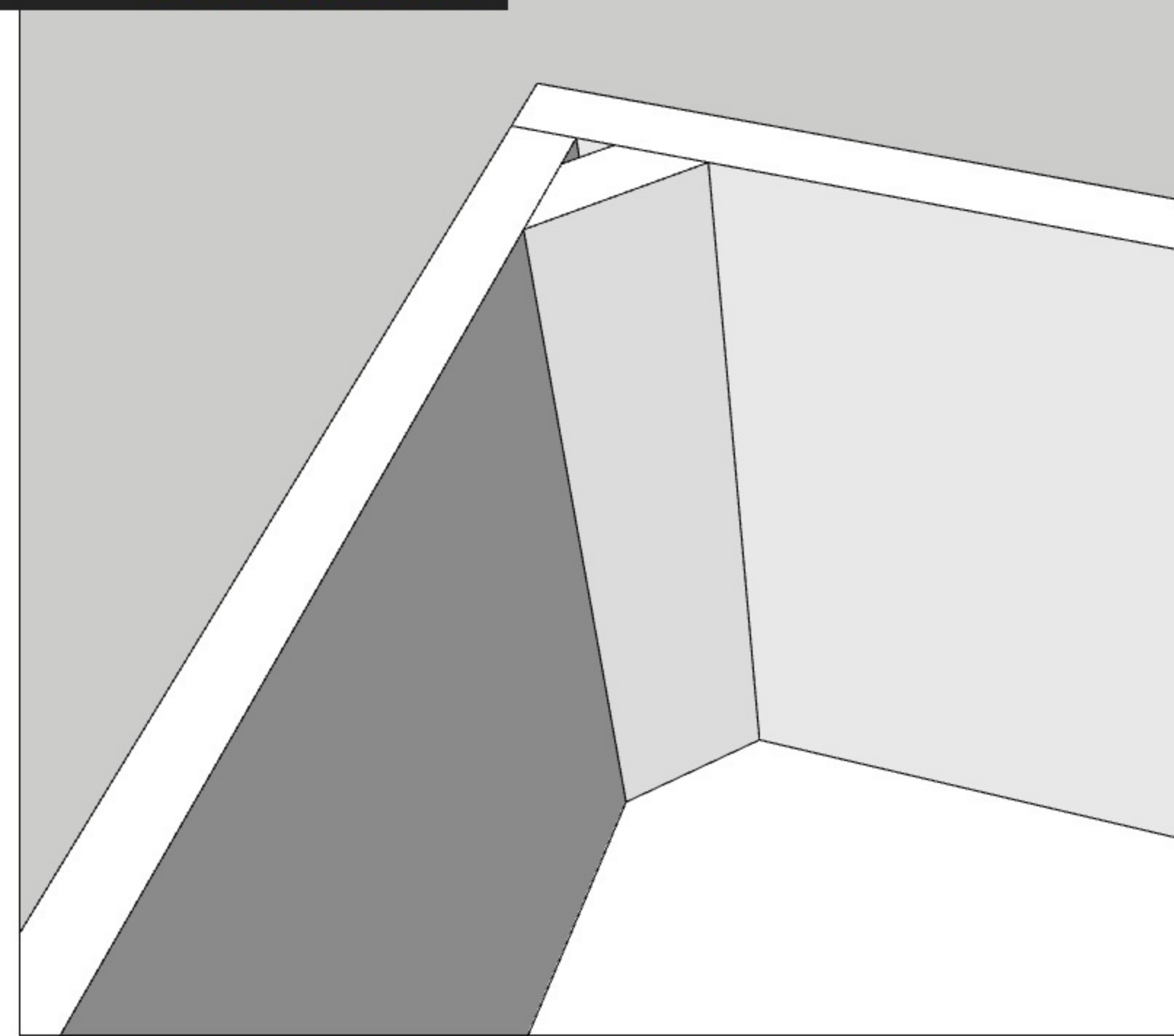
## ADD A KERF PORT



Adding a kerf shortens the port line which raises tuning about 1.75 Hz.  
Add 1-1/2in to length of port to help maintain tuning without sacrificing too much volume or order a custom design for precise tuning.







## OPTIONAL CORNER BRACES

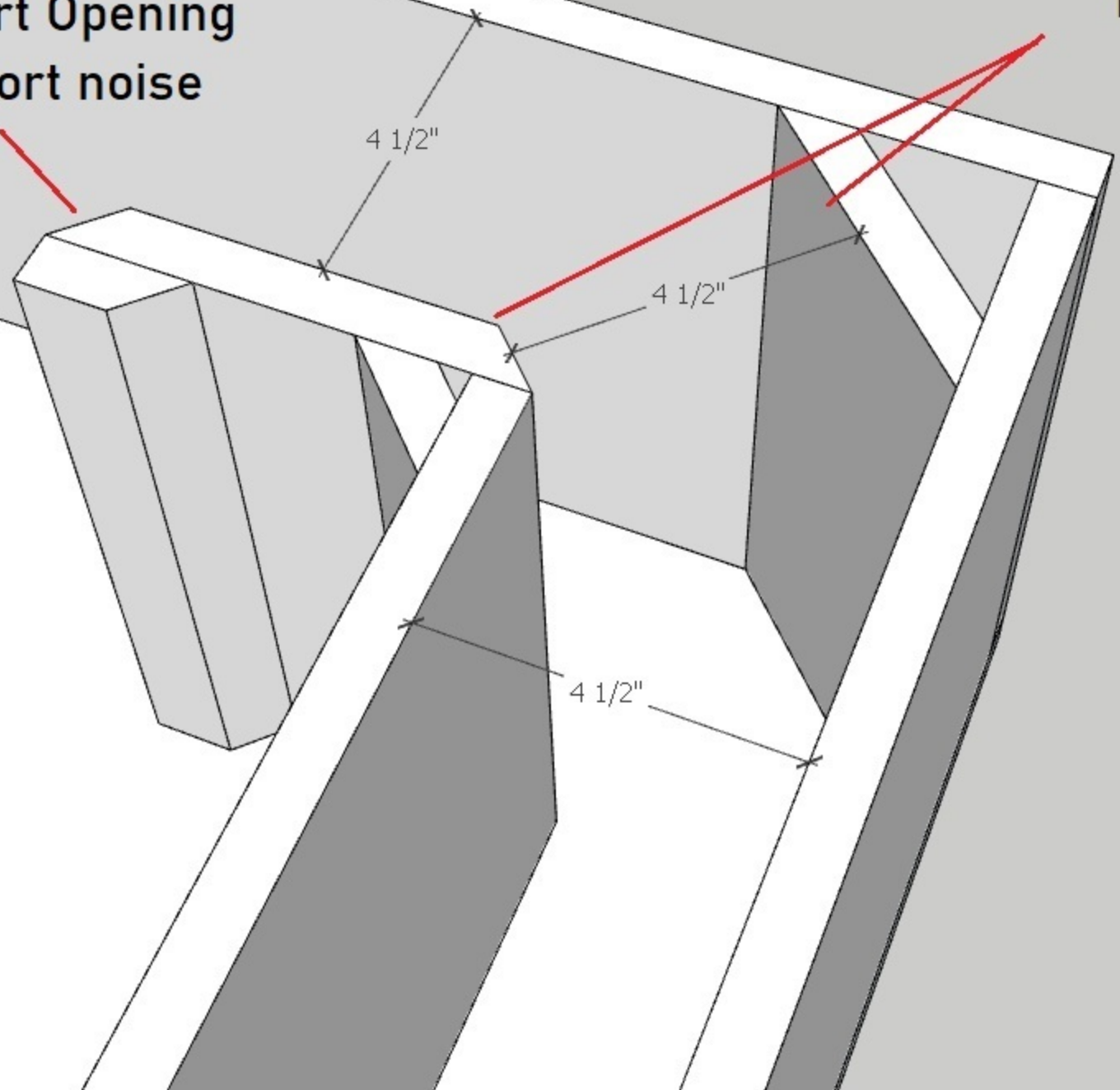
Added strength is  
primary function

Does not effect overall  
sound quality

Can be left off for  
beginner carpenters

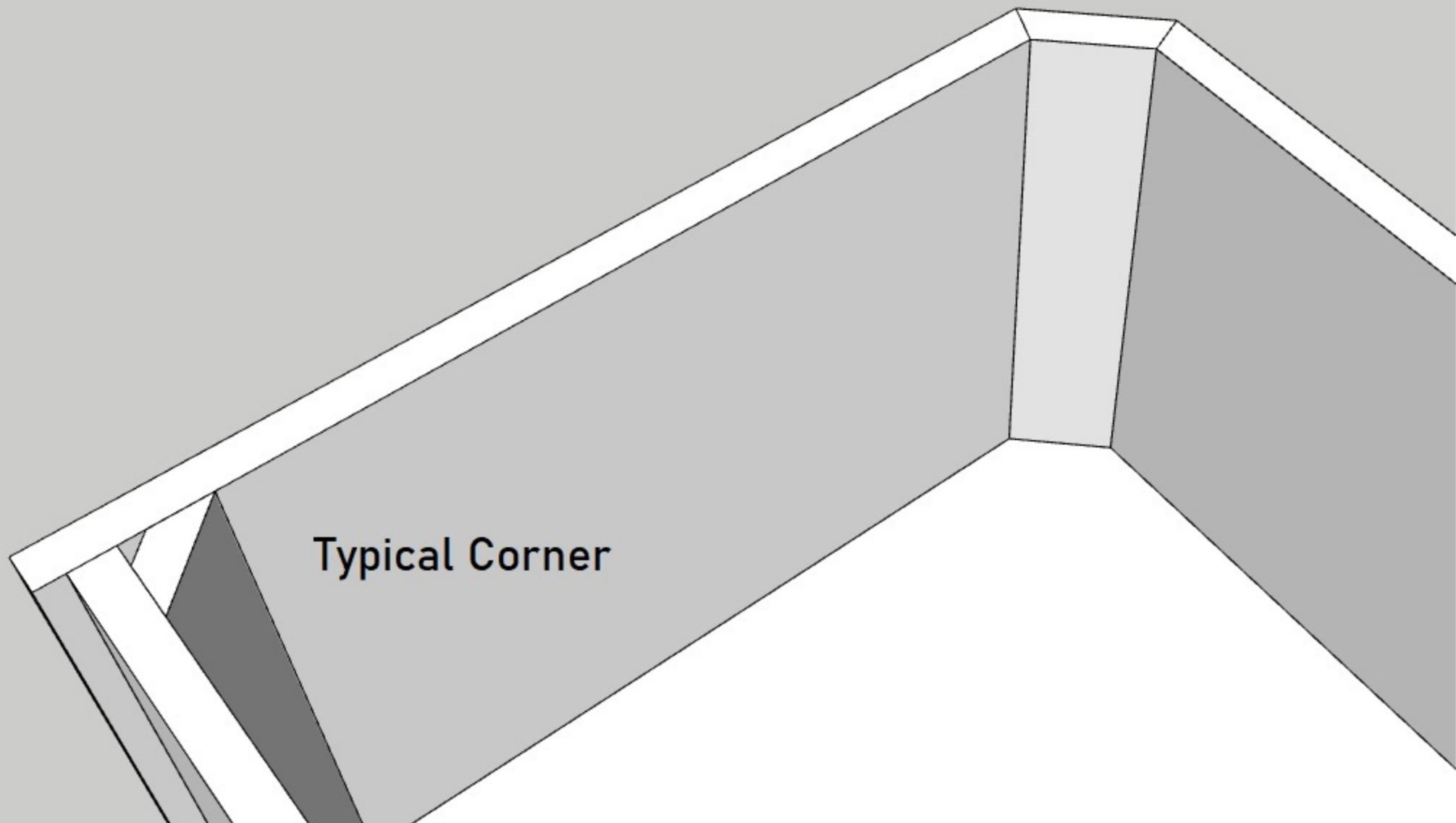
Flared Port Opening  
Reduce port noise

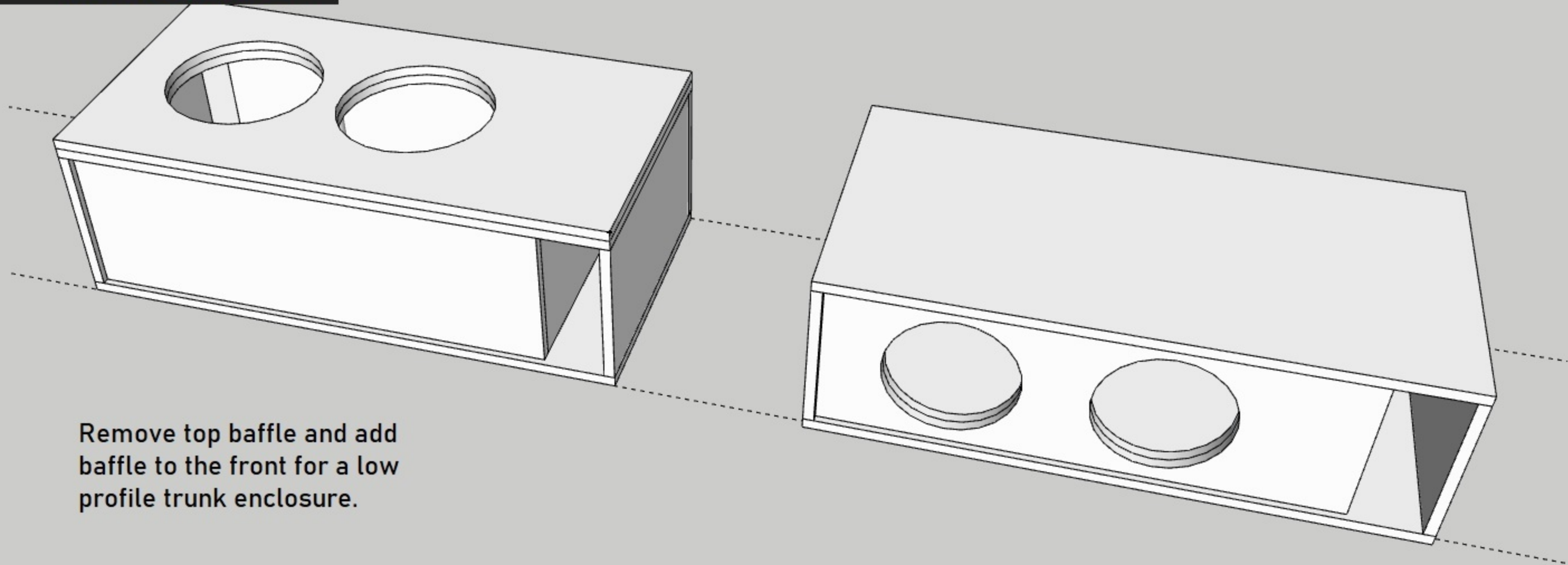
45 Port Elbow  
Increased air-flow efficiency



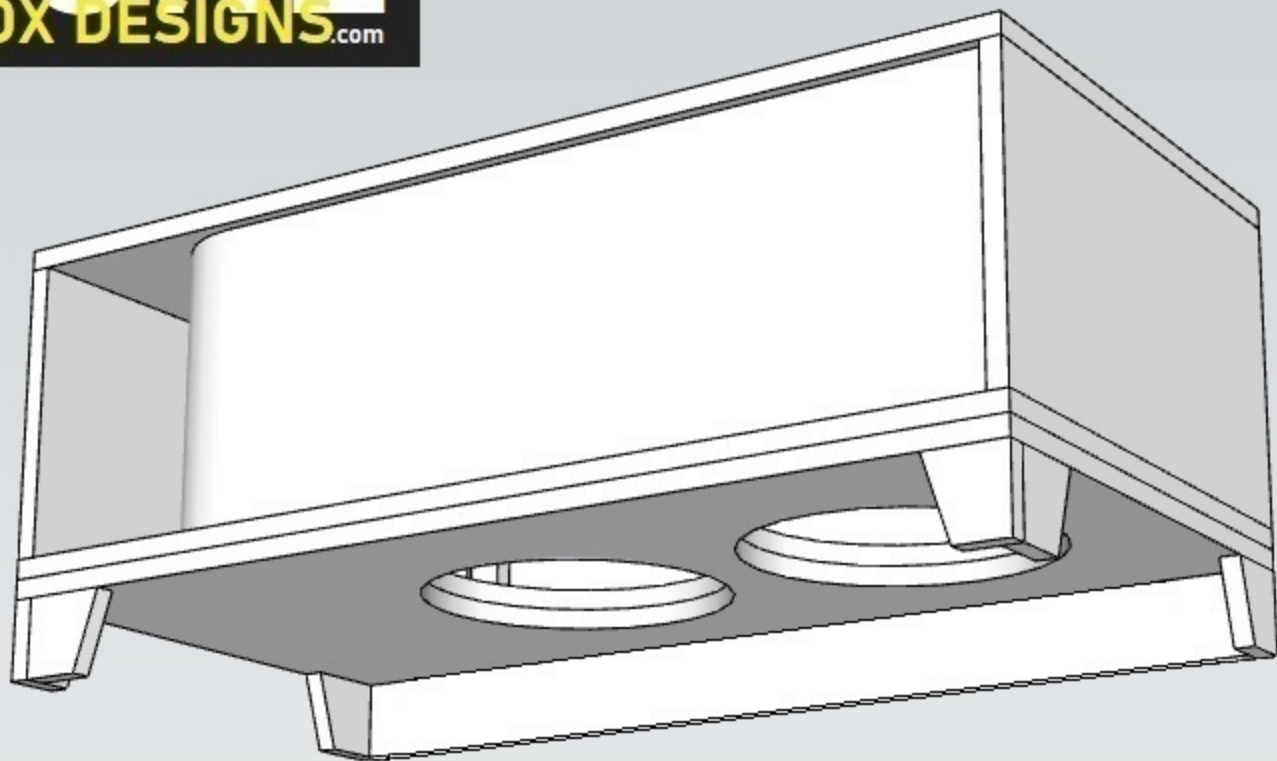
Stylish Corner

Typical Corner

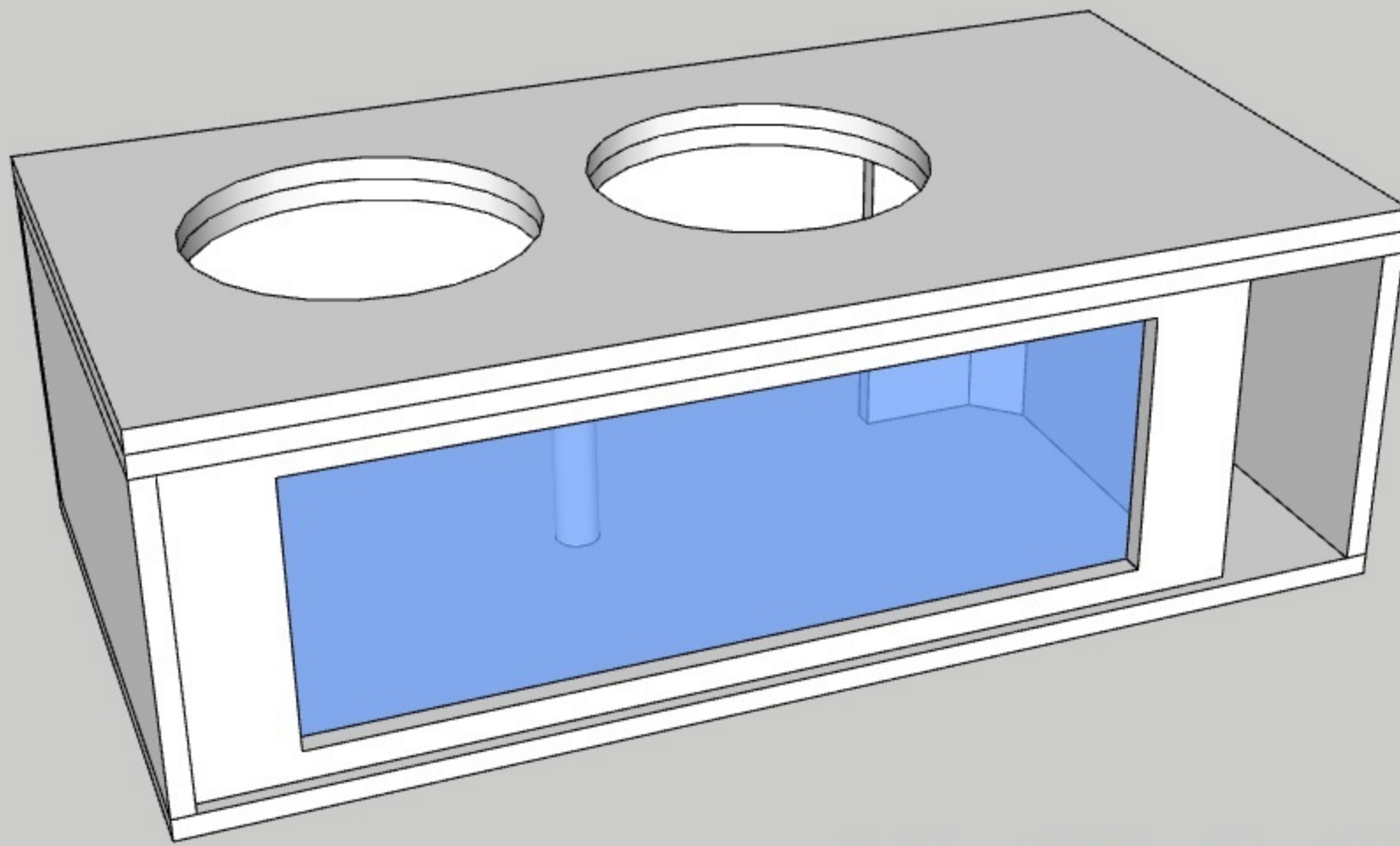




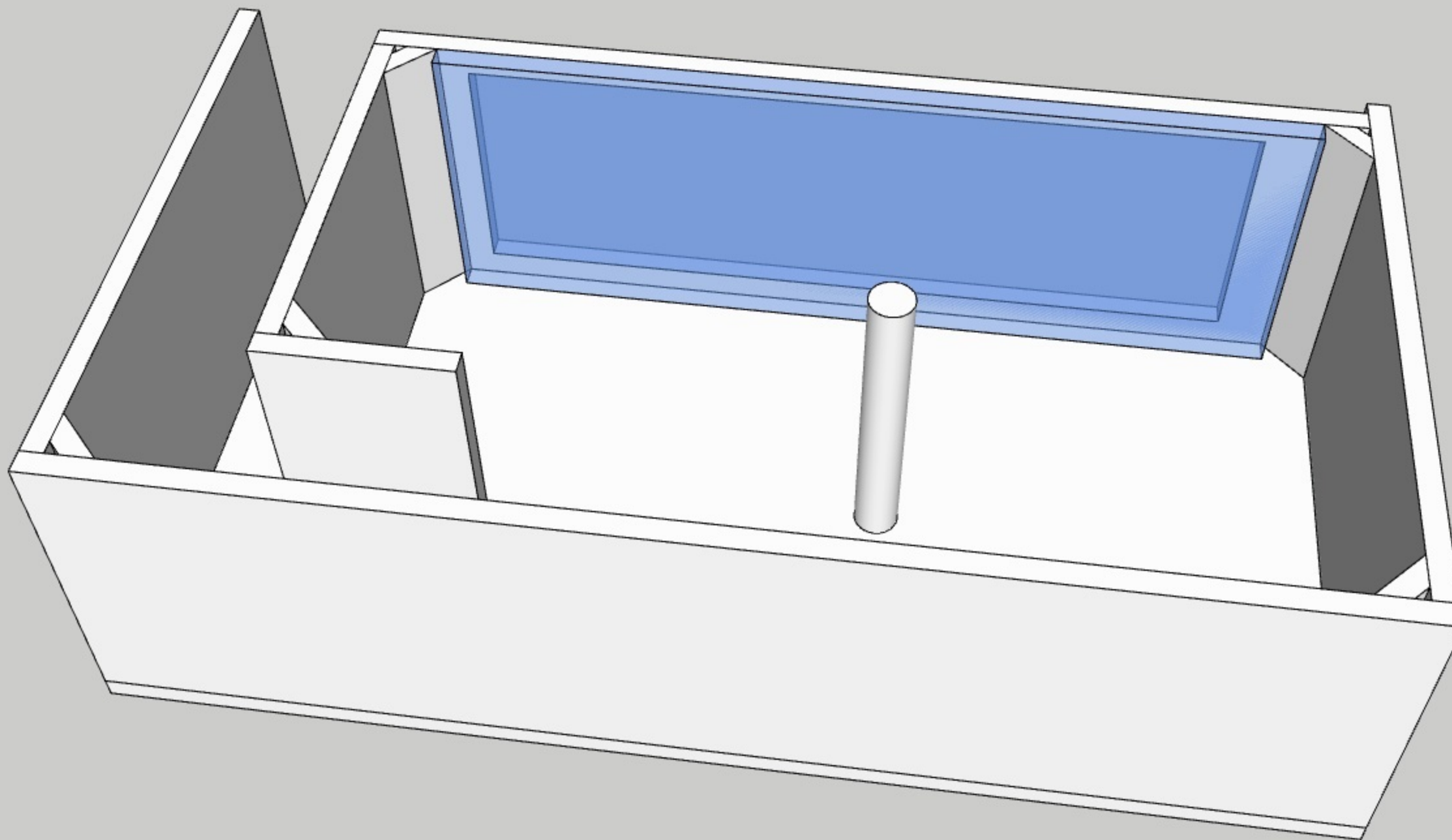
Remove top baffle and add baffle to the front for a low profile trunk enclosure.

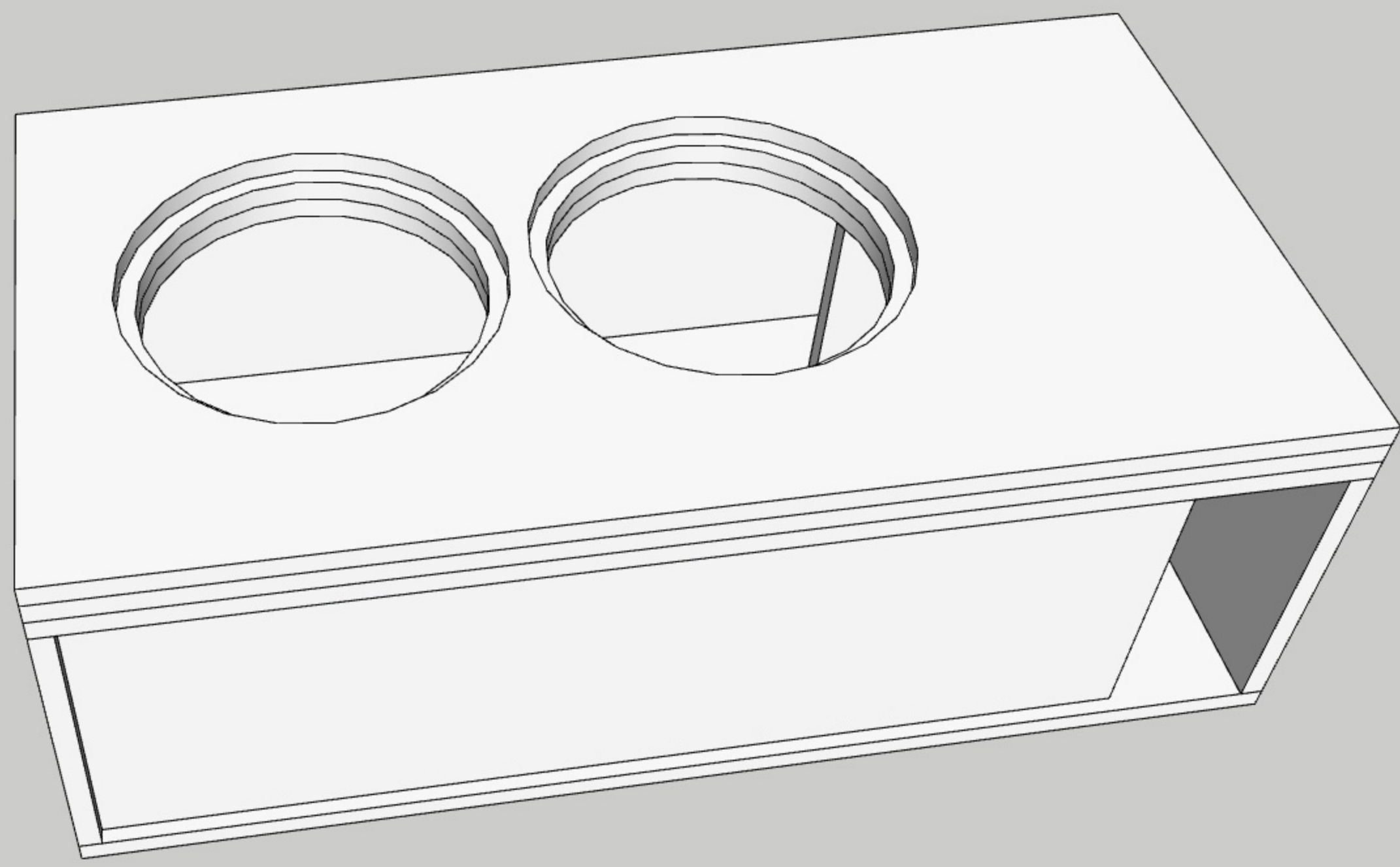


Add 3in blocks to bottom to create a downfire enclosure. Keeps subs protected. Helps mask minor distortion. Lengthens distance between your ears and the cone for added sound quality.

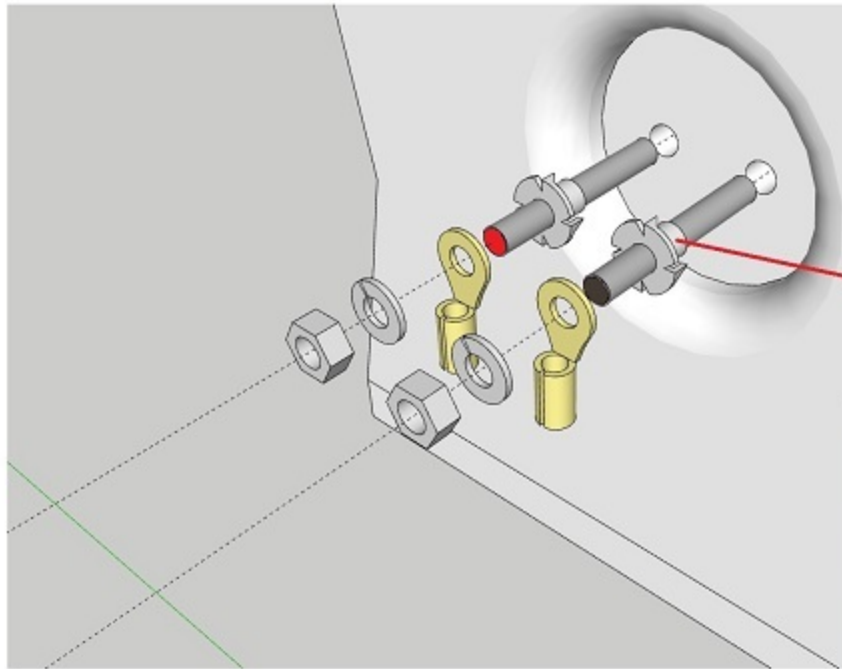


Add a 3/4in plexiglass window.  
Extend front of the enclosure 3/4in  
to maintain volume and tuning.





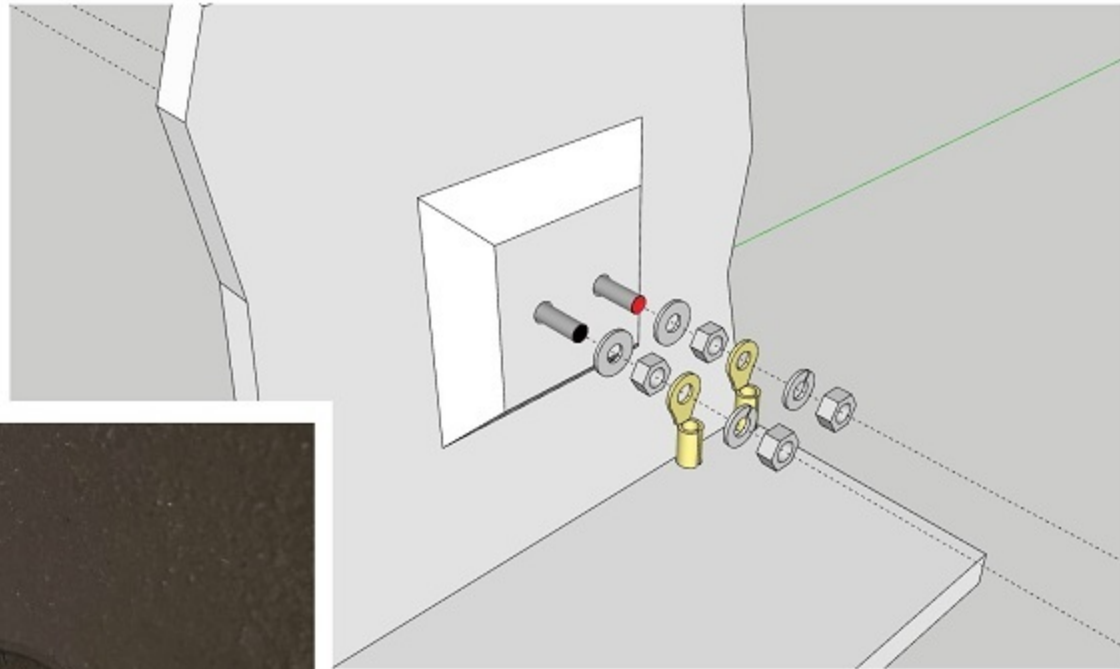
Add stylish flush mount baffle for added strength



5/16-24 x 2-3/8"  
Threaded Rod

5/16-24 x 3/8 T-Nut

Use bolt cutters  
to crimp T-nut to stud



***"The Perfect Terminal"***



**INTUNE**  
BOX DESIGNS.com