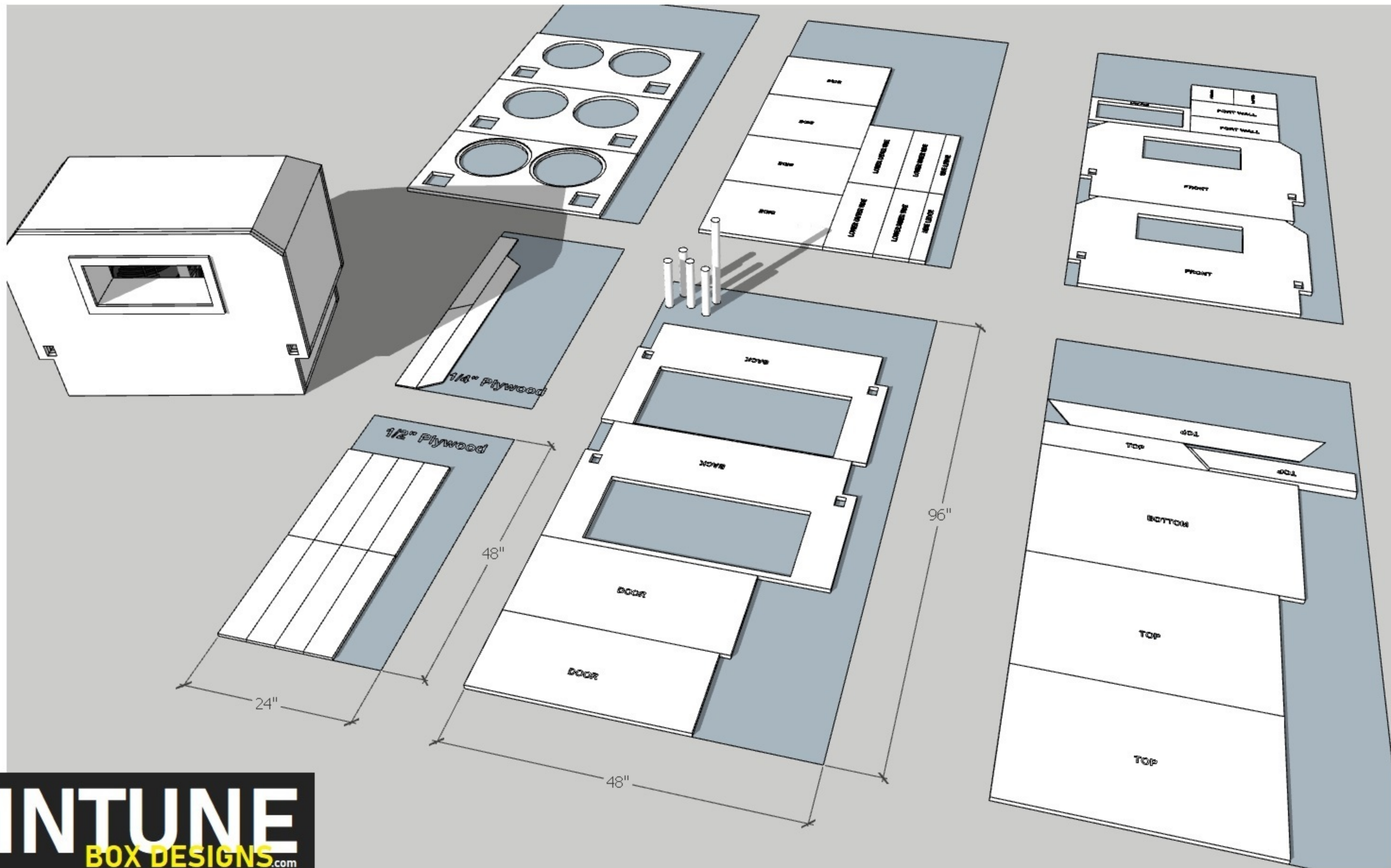
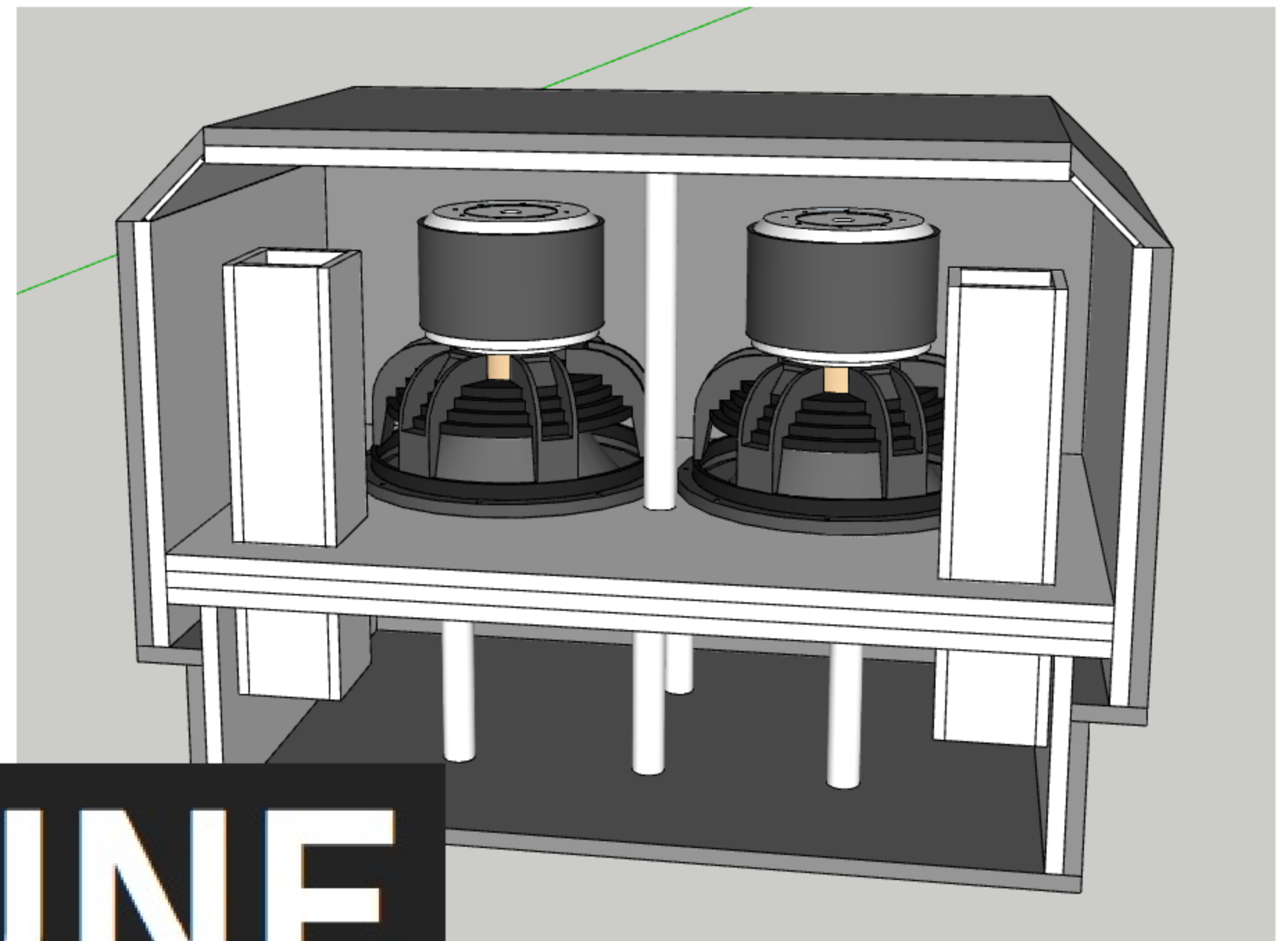
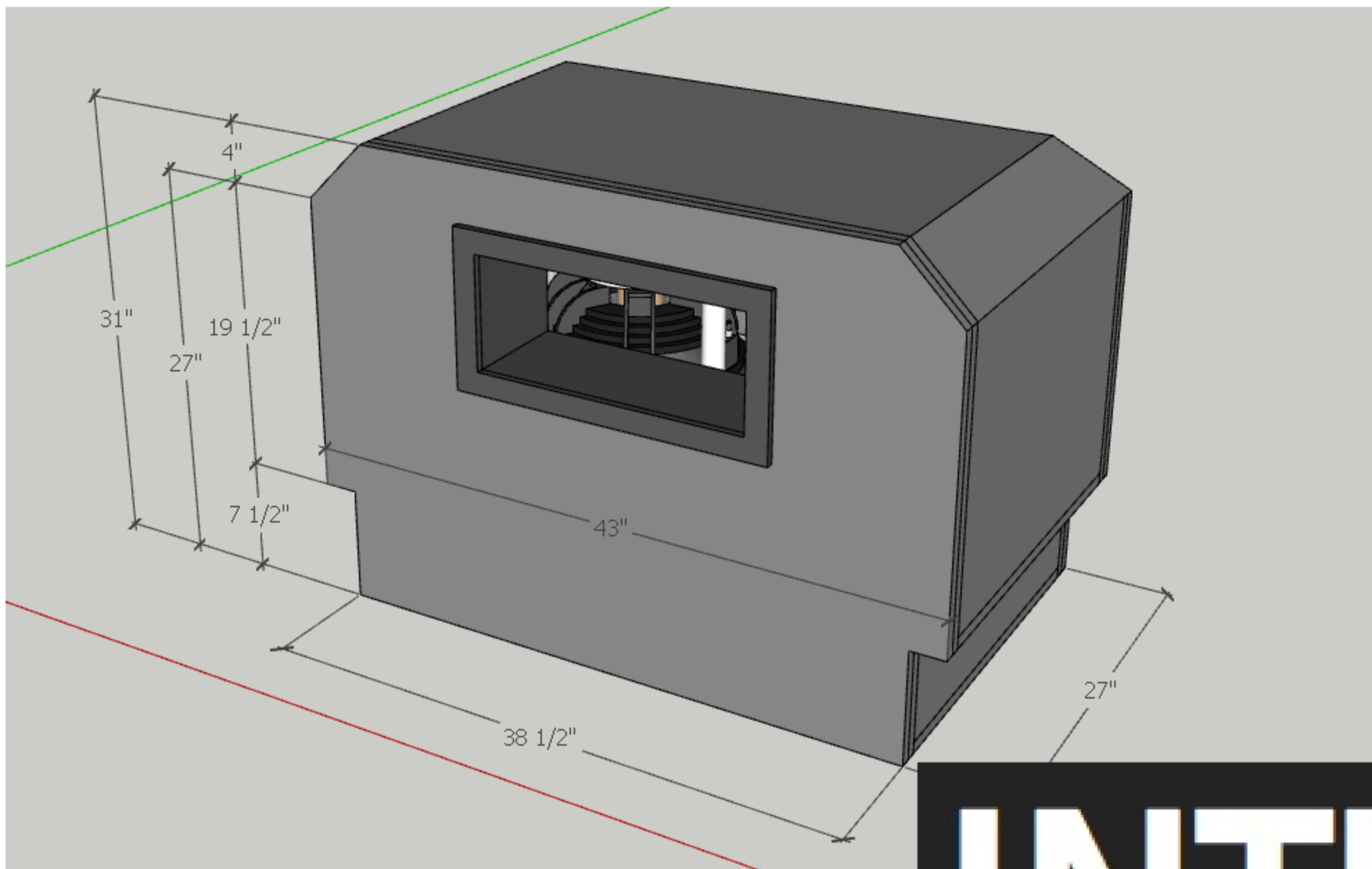


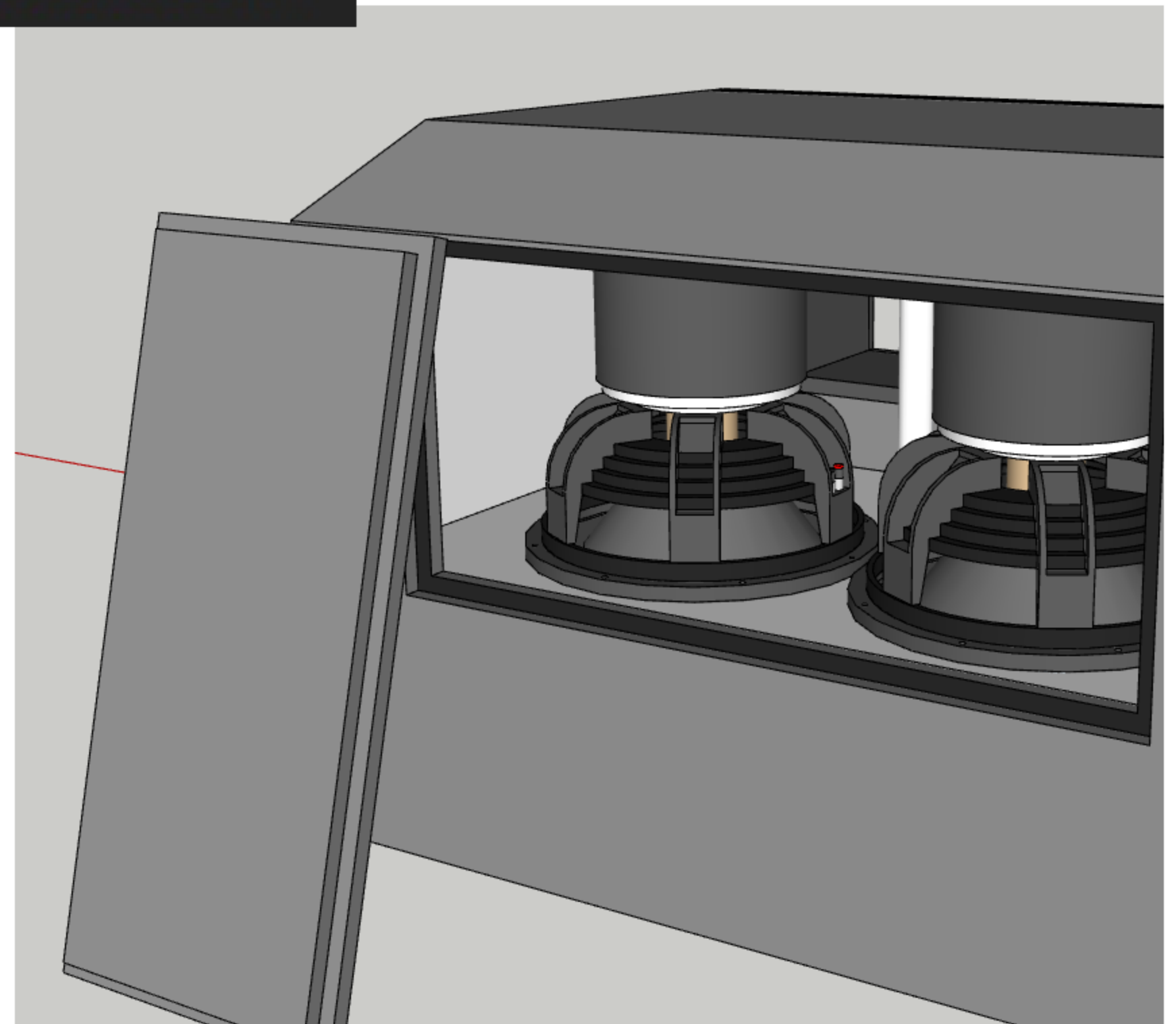
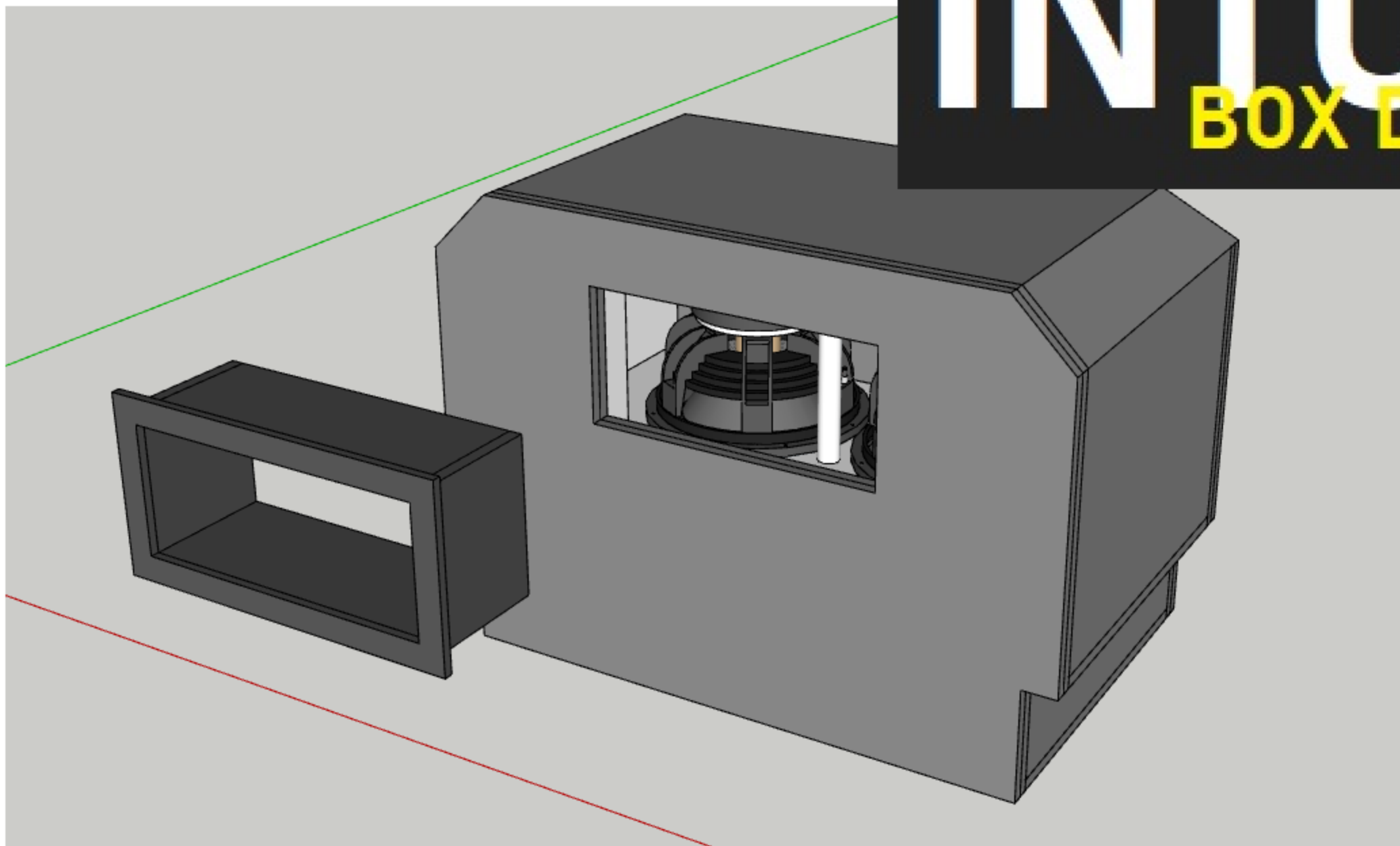
FRONT CHAMBER:
VOLUME: 7.75 cf net
TUNING: 52 Hz
PORT AREA: 135in²
(17.42in per cube)

REAR CHAMBER:
VOLUME: 5 cf net
TUNING: 26 Hz
PORT AREA: 28.15in²
(5.63in per cube)

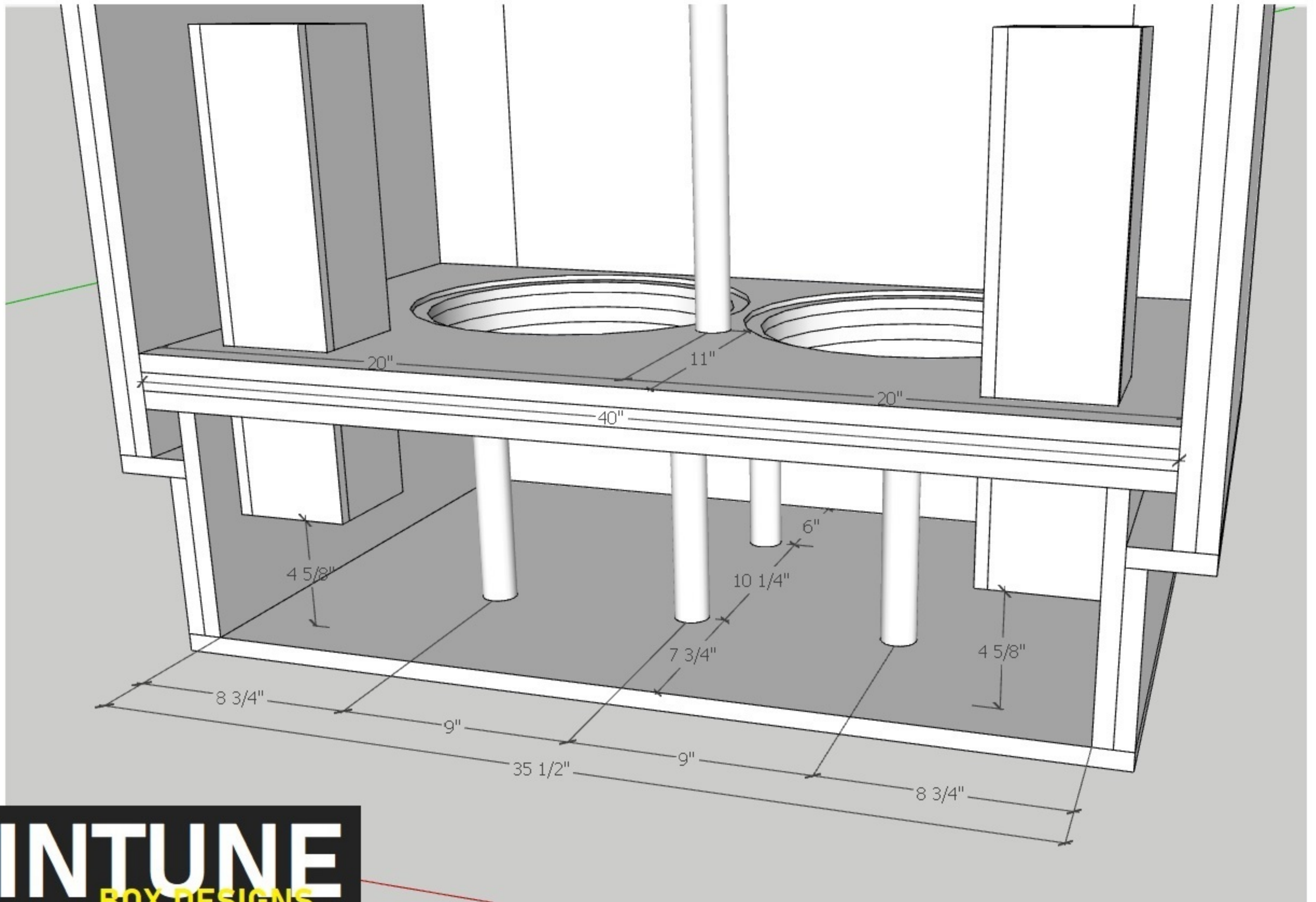


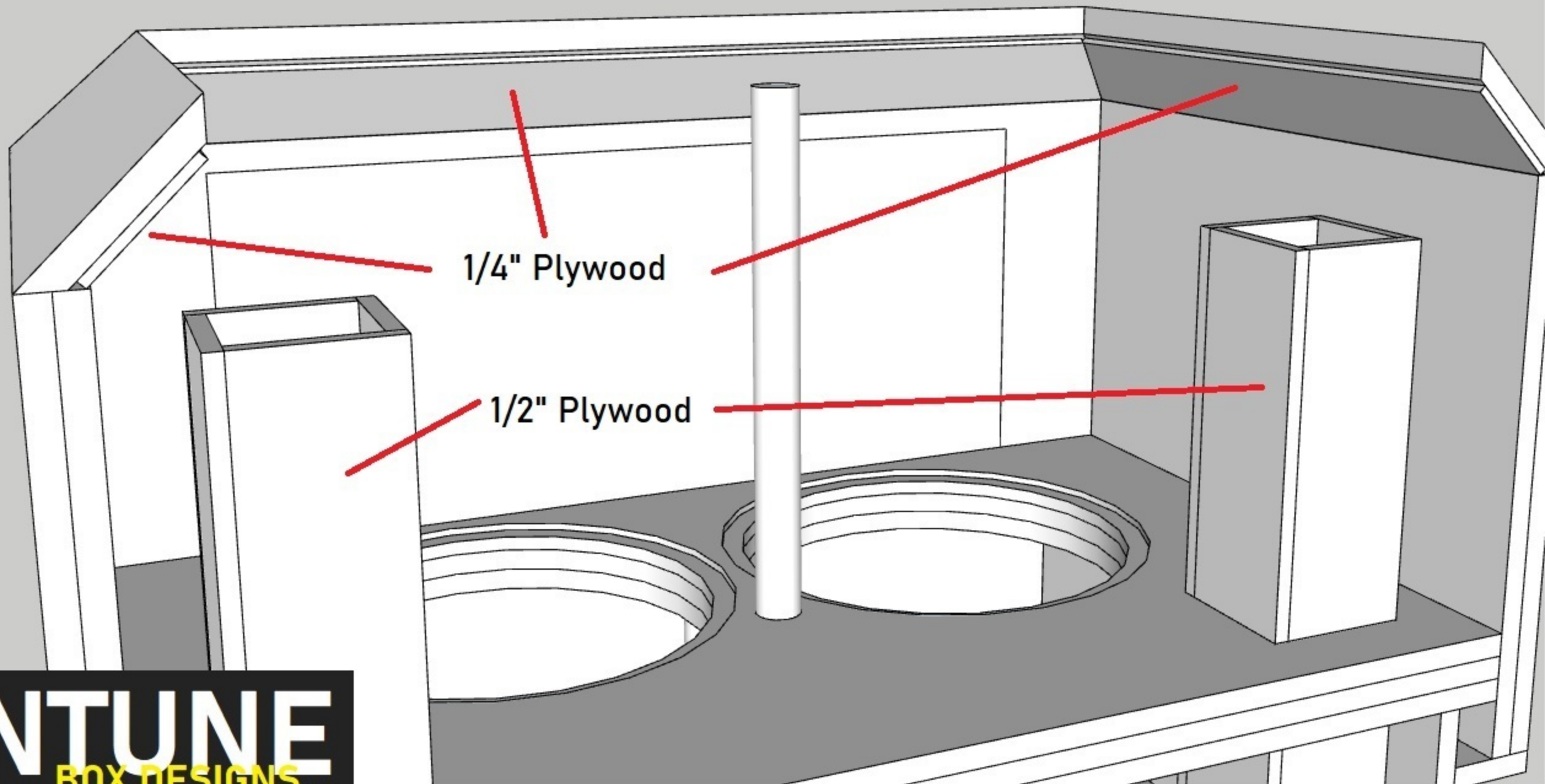


INTUNE
BOX DESIGNS.com



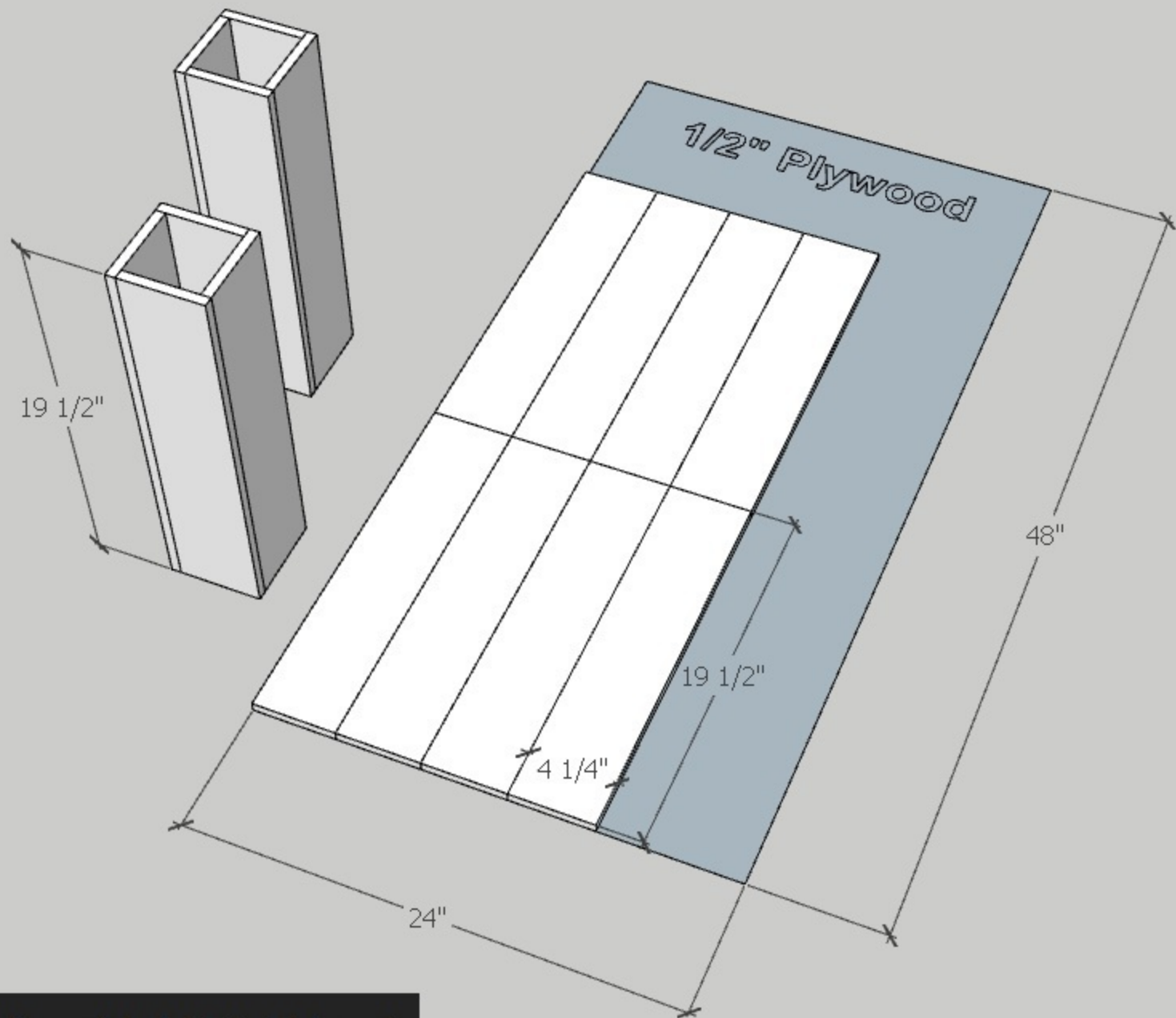
Rear: 5 ft³ net @ 26hz
Front: 7.75 ft³ net @ 52hz



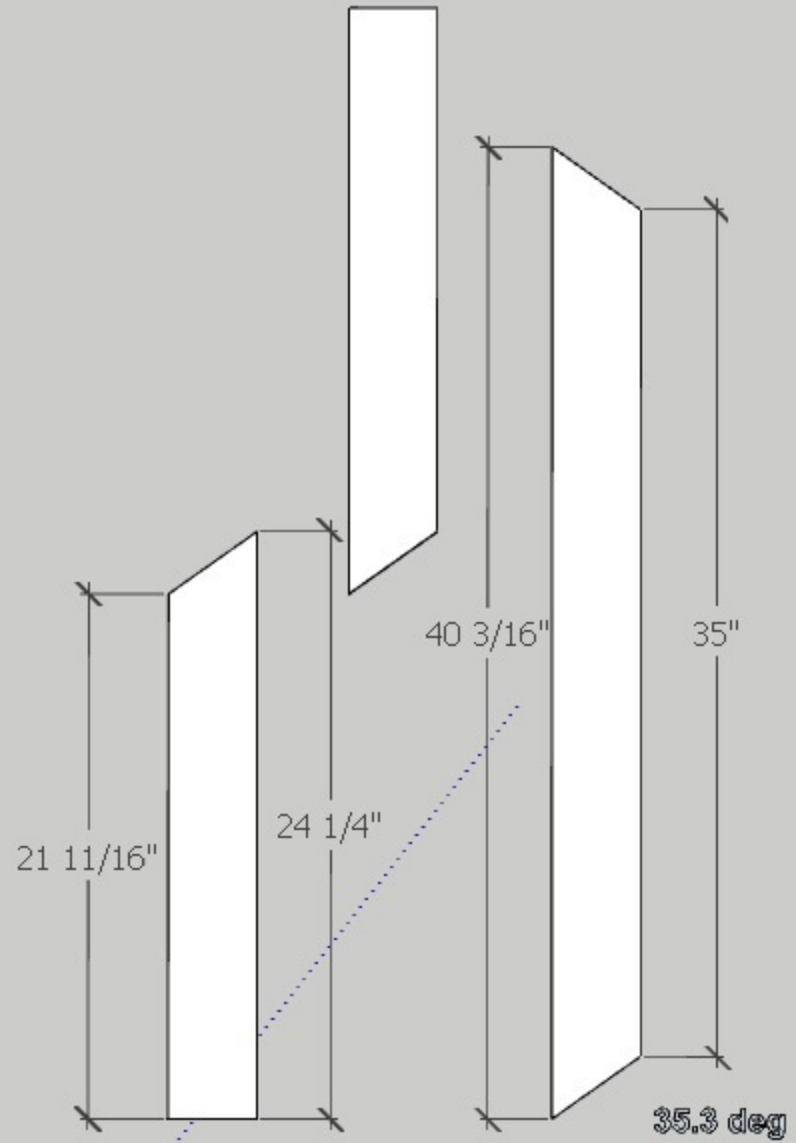
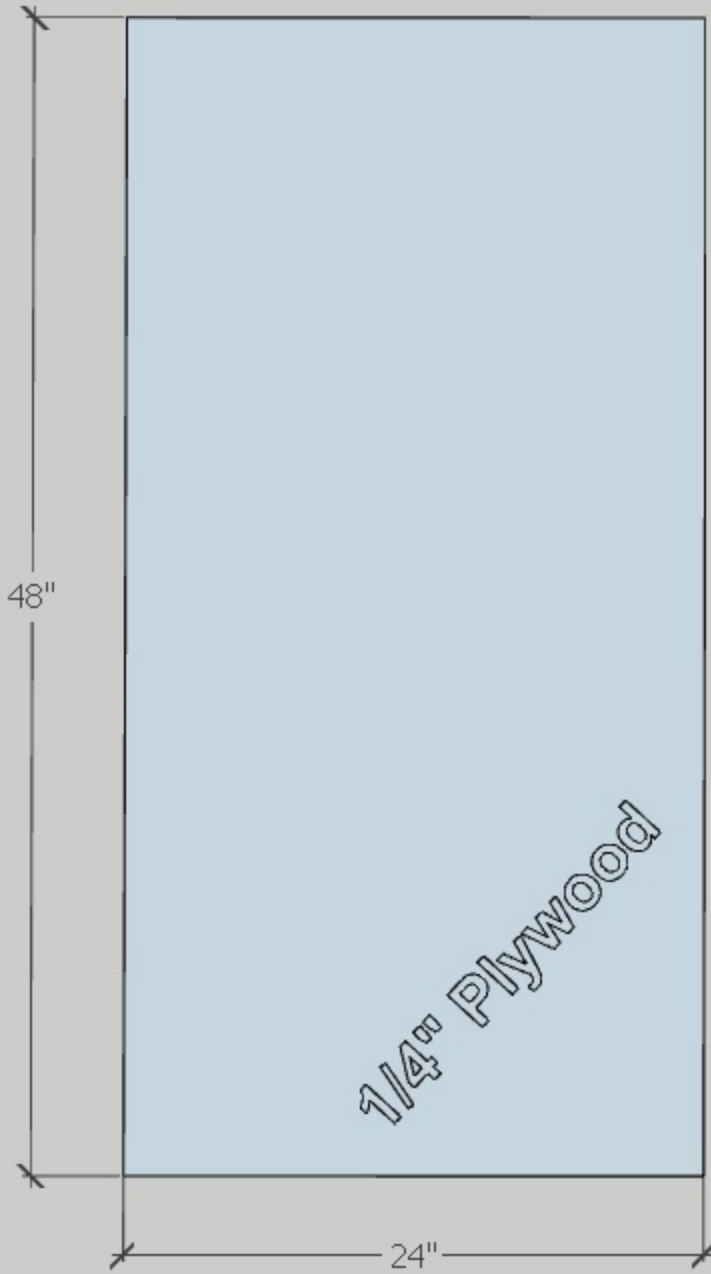


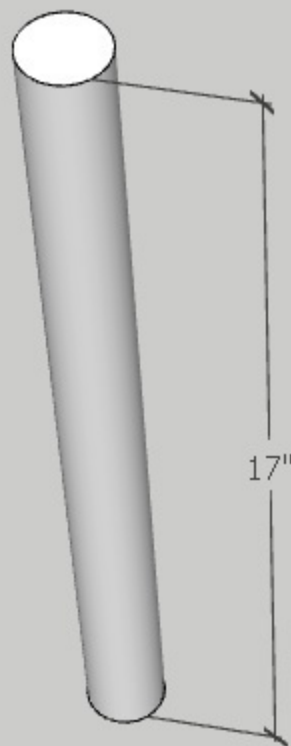
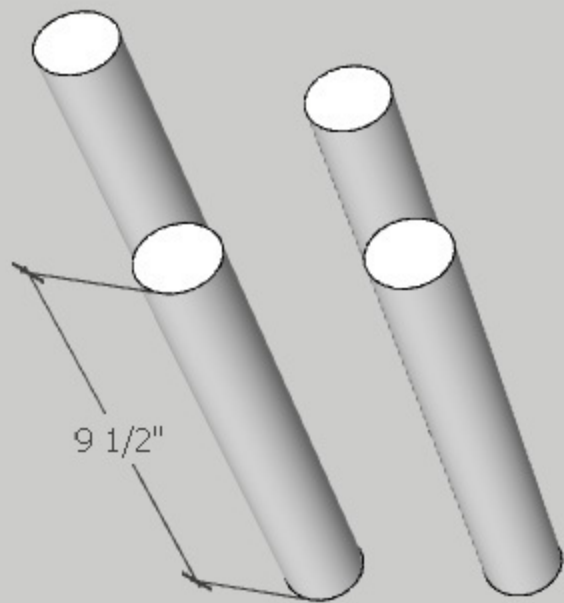
1/4" Plywood

1/2" Plywood



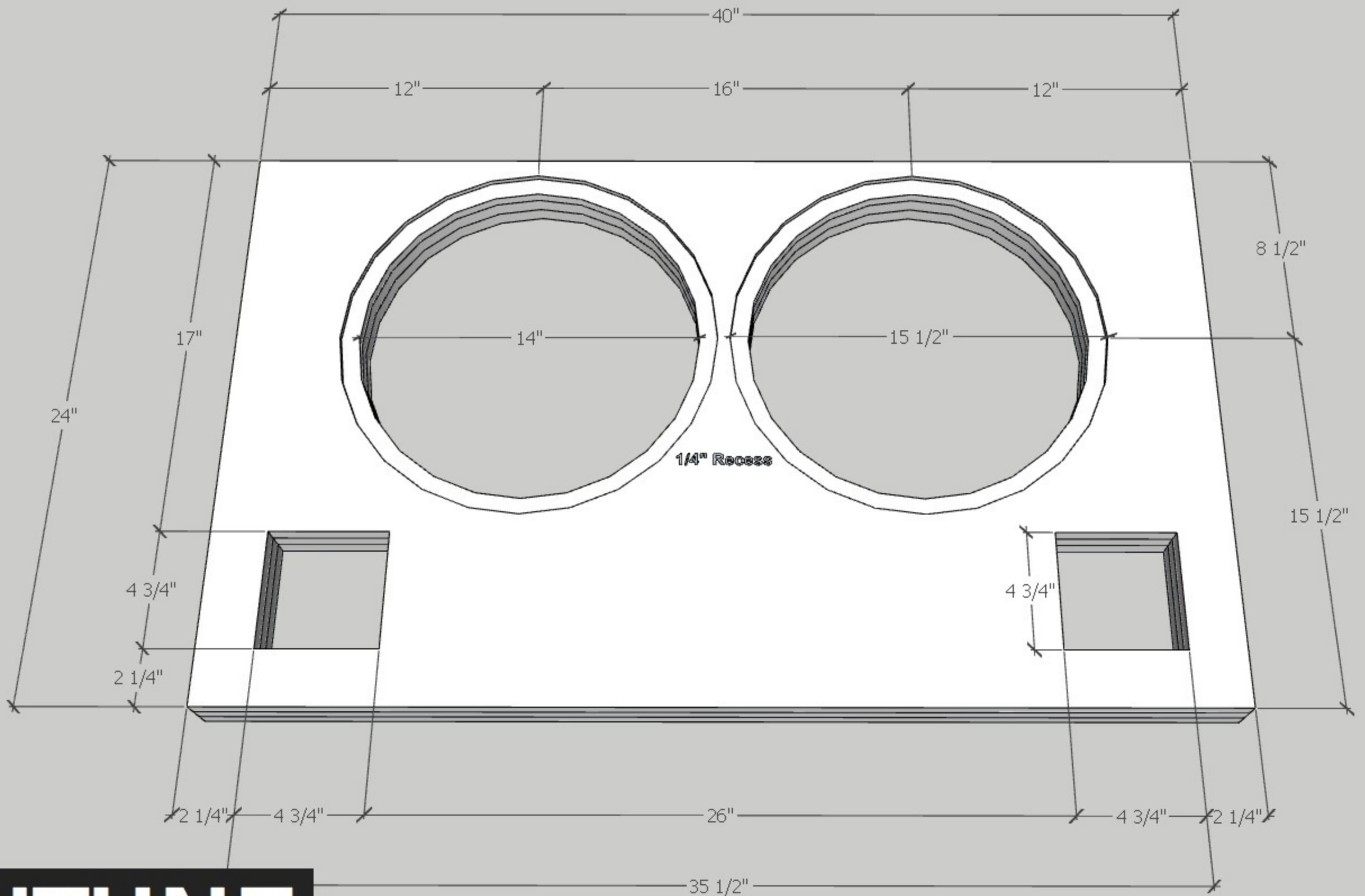
INTUNE
BOX DESIGNS.com

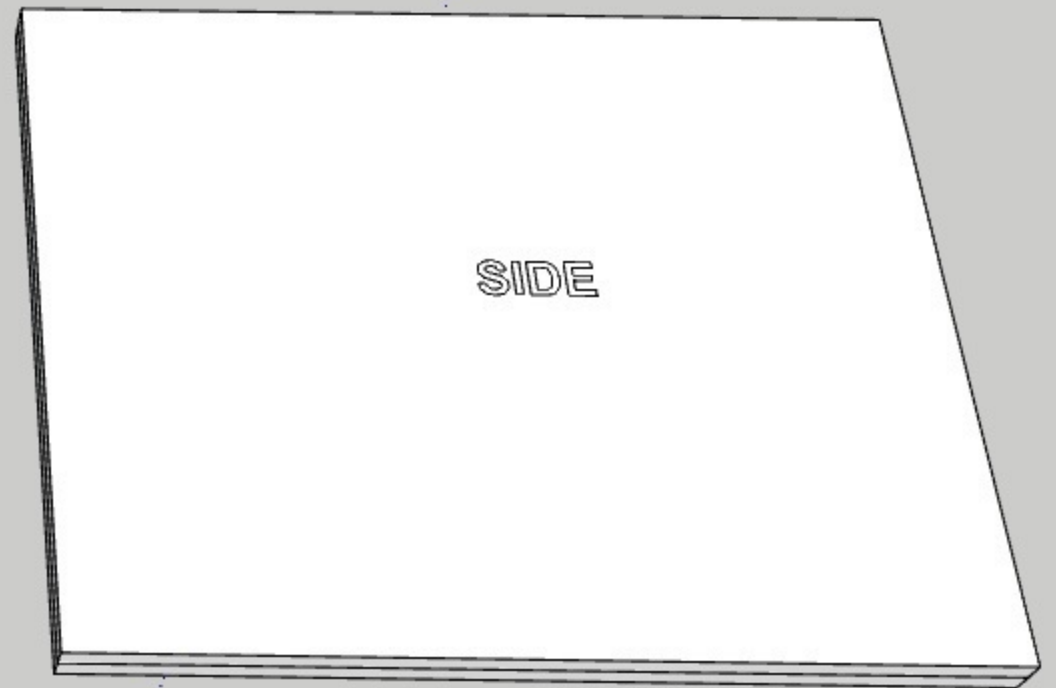
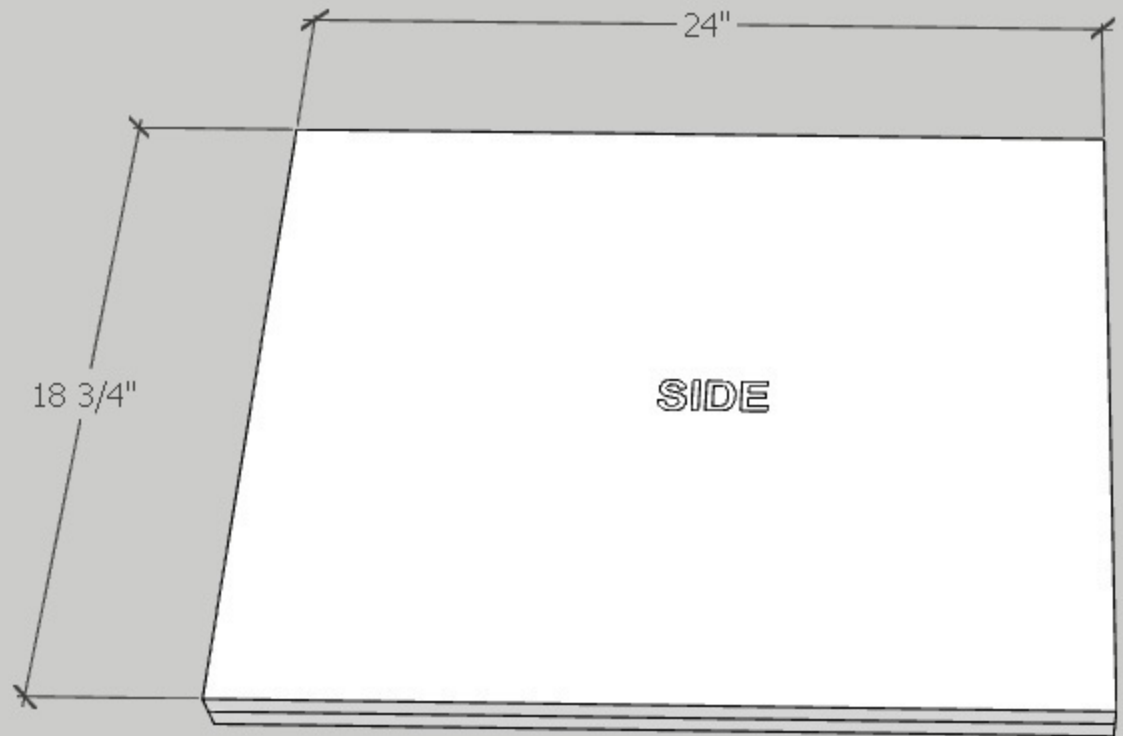


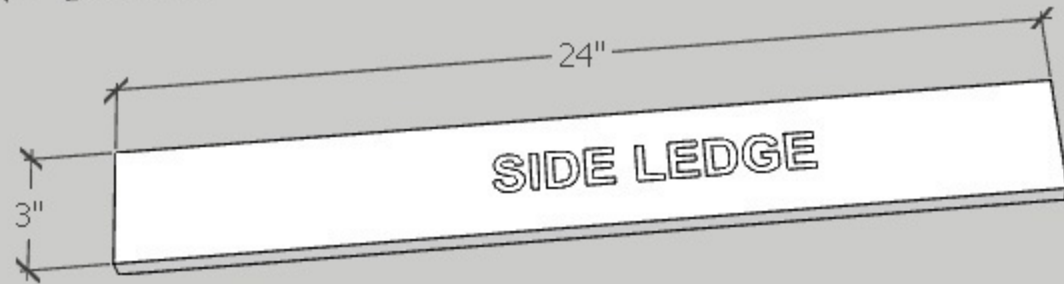
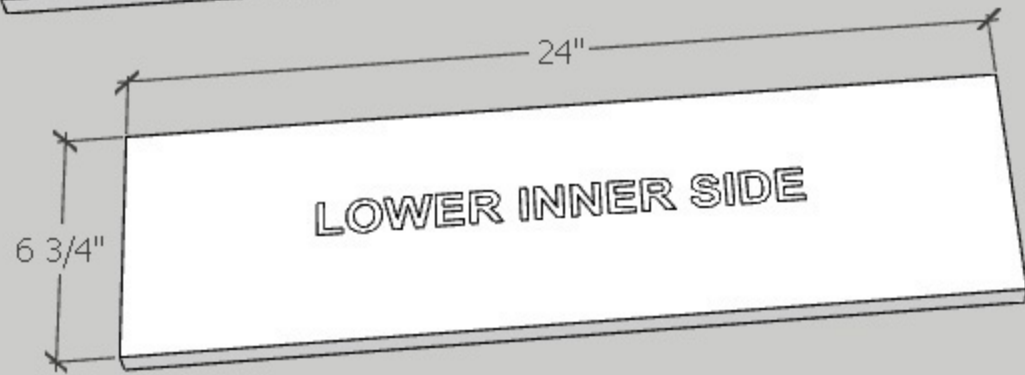
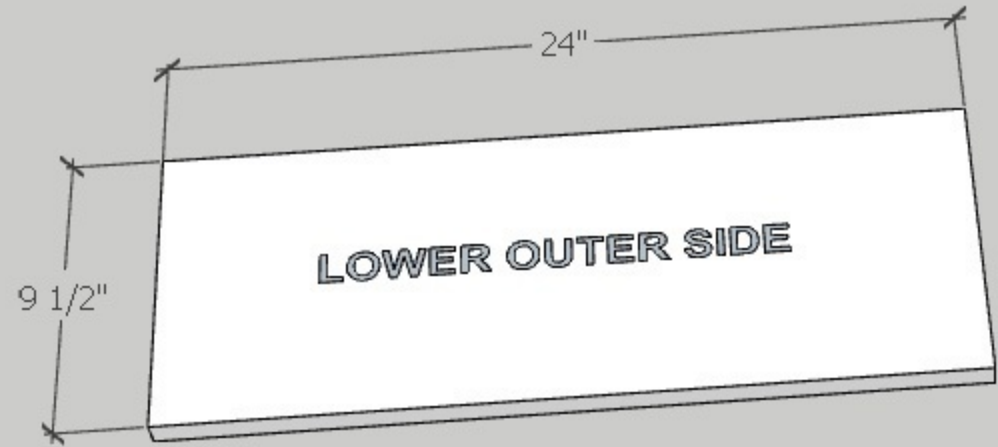


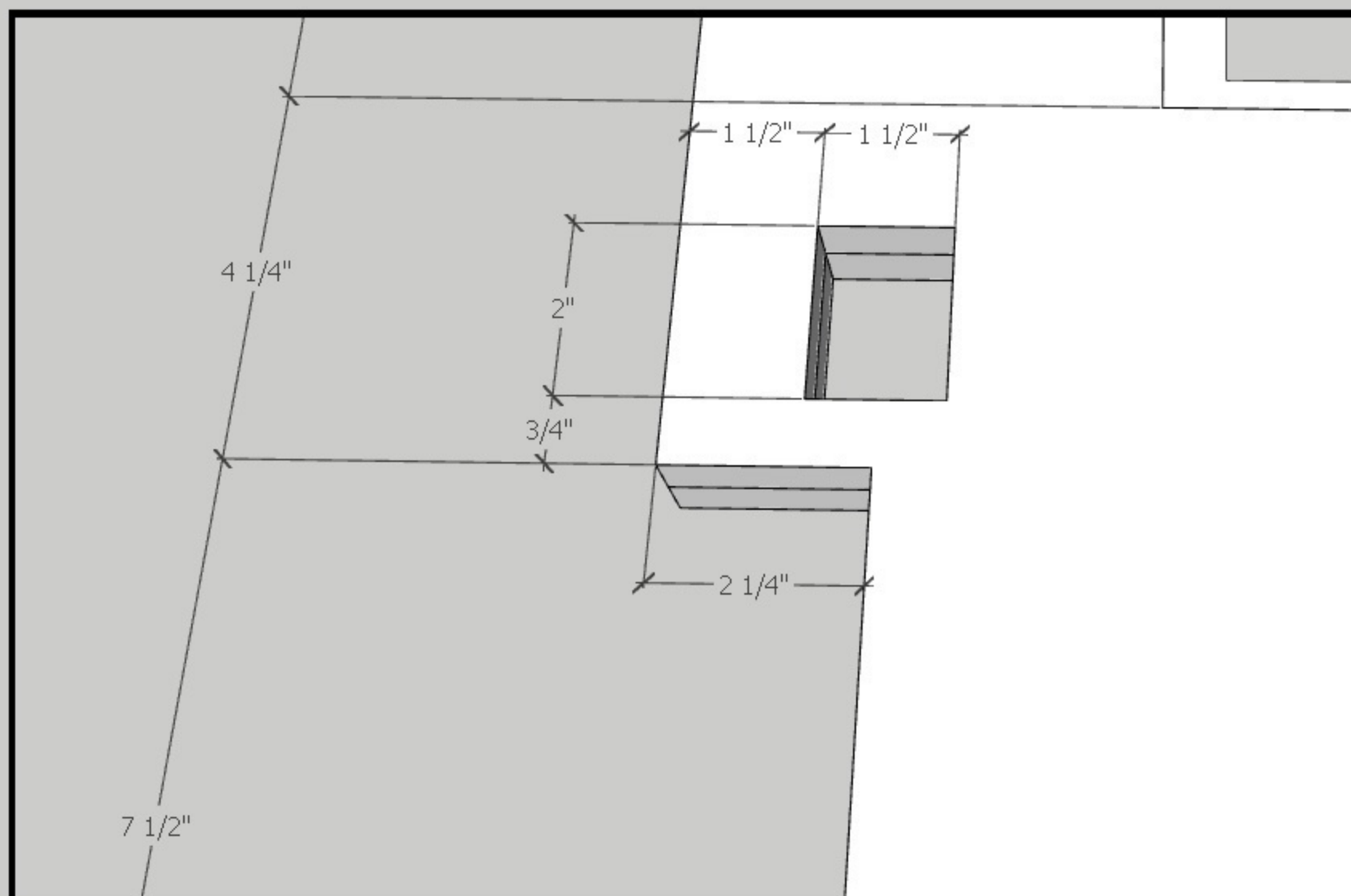
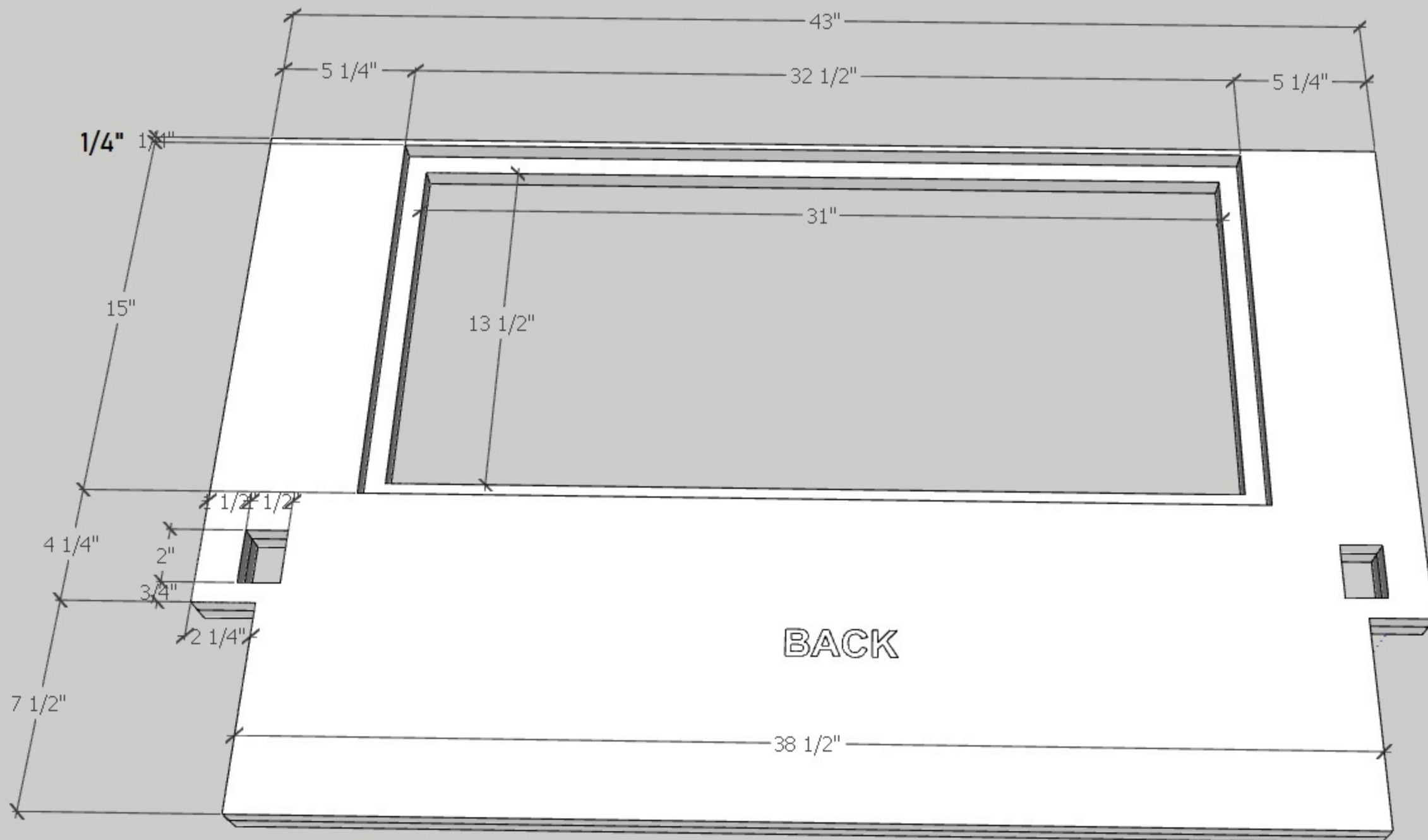
1-1/2" Dowel Rod

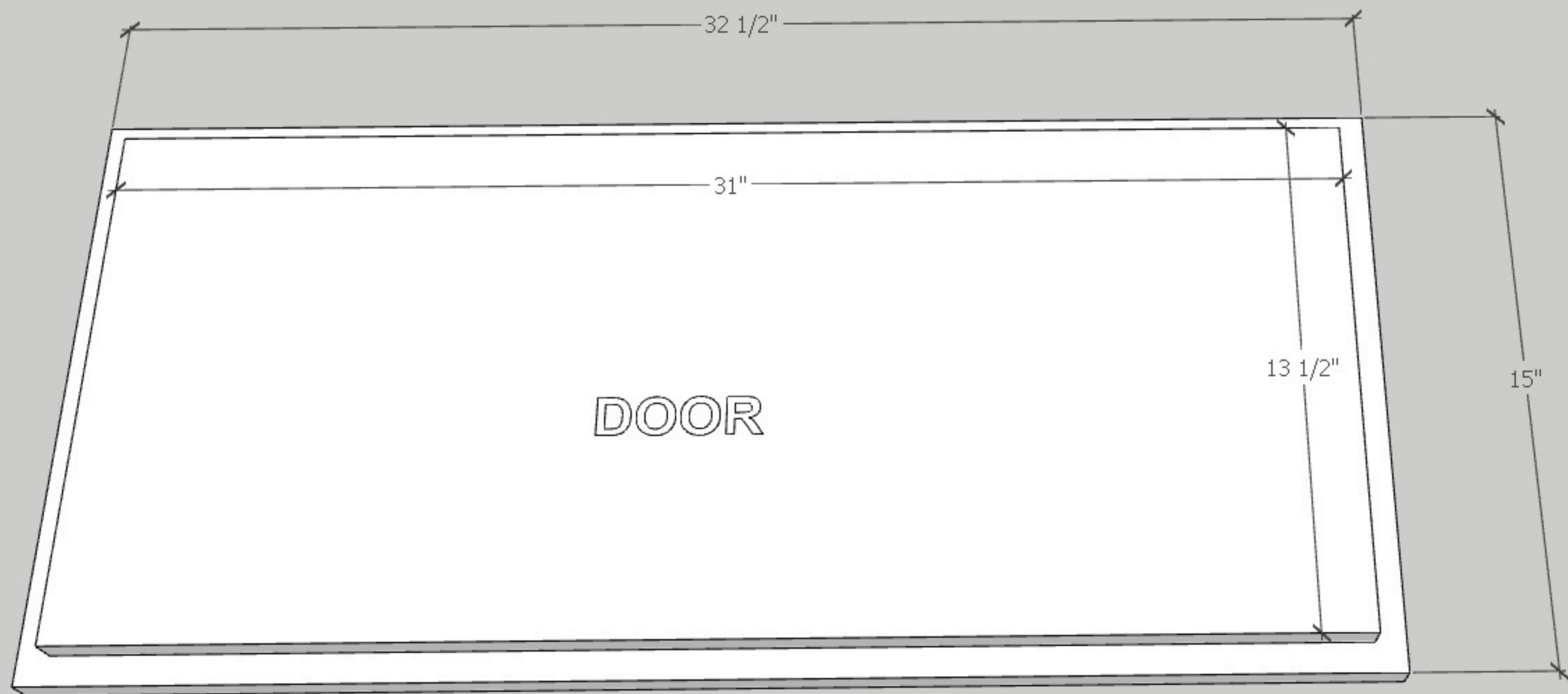
INTUNE
BOX DESIGNS.com

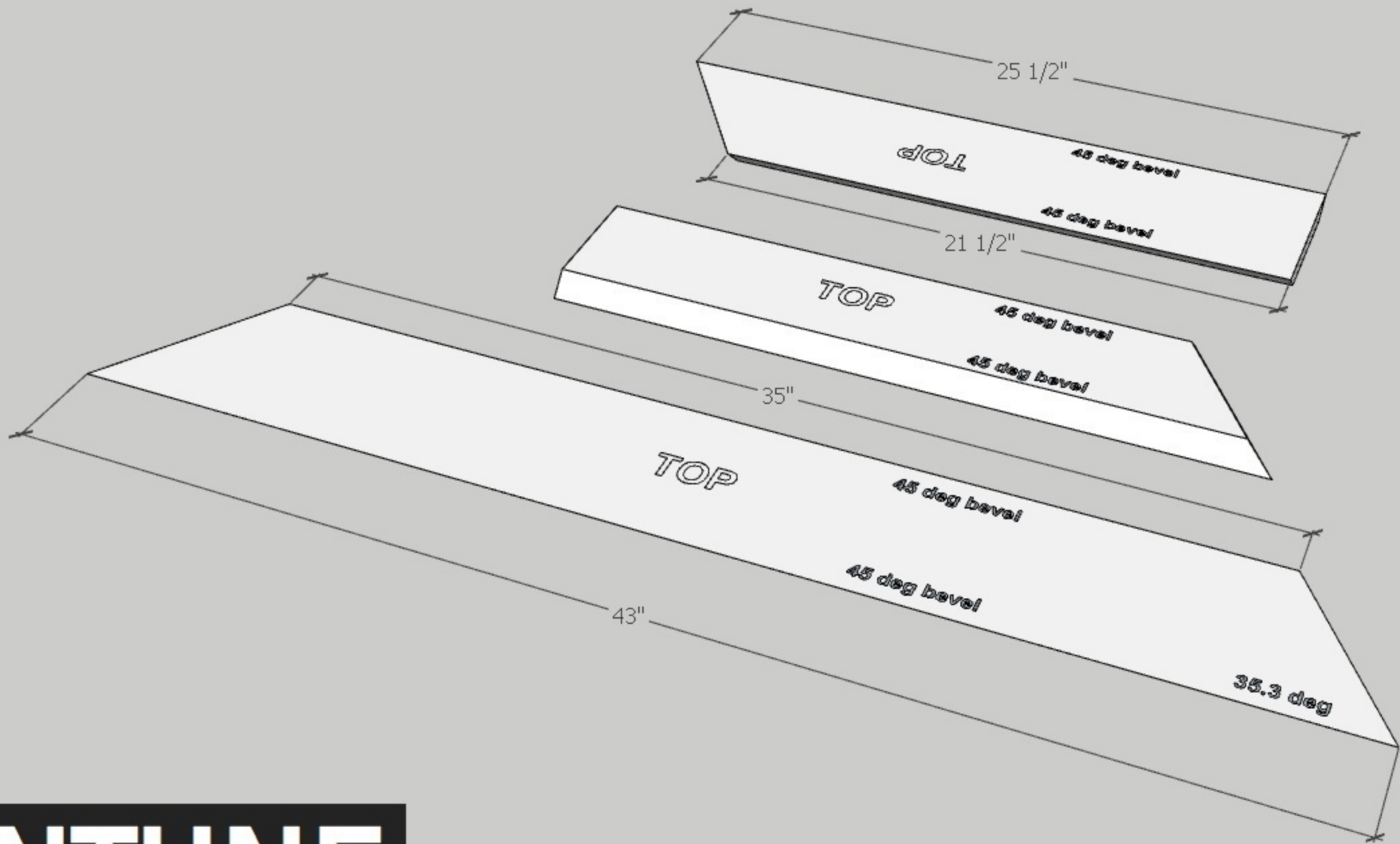


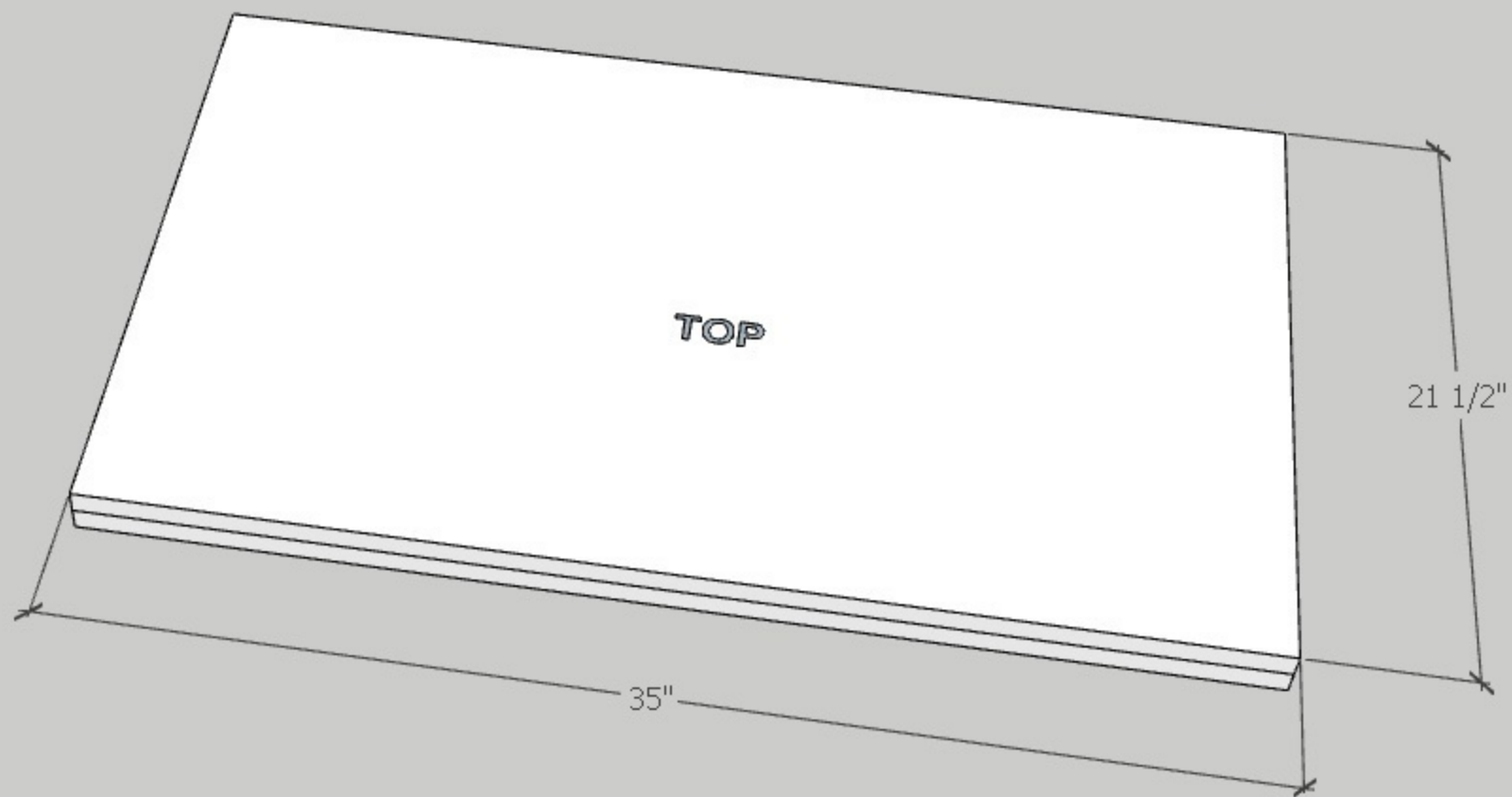




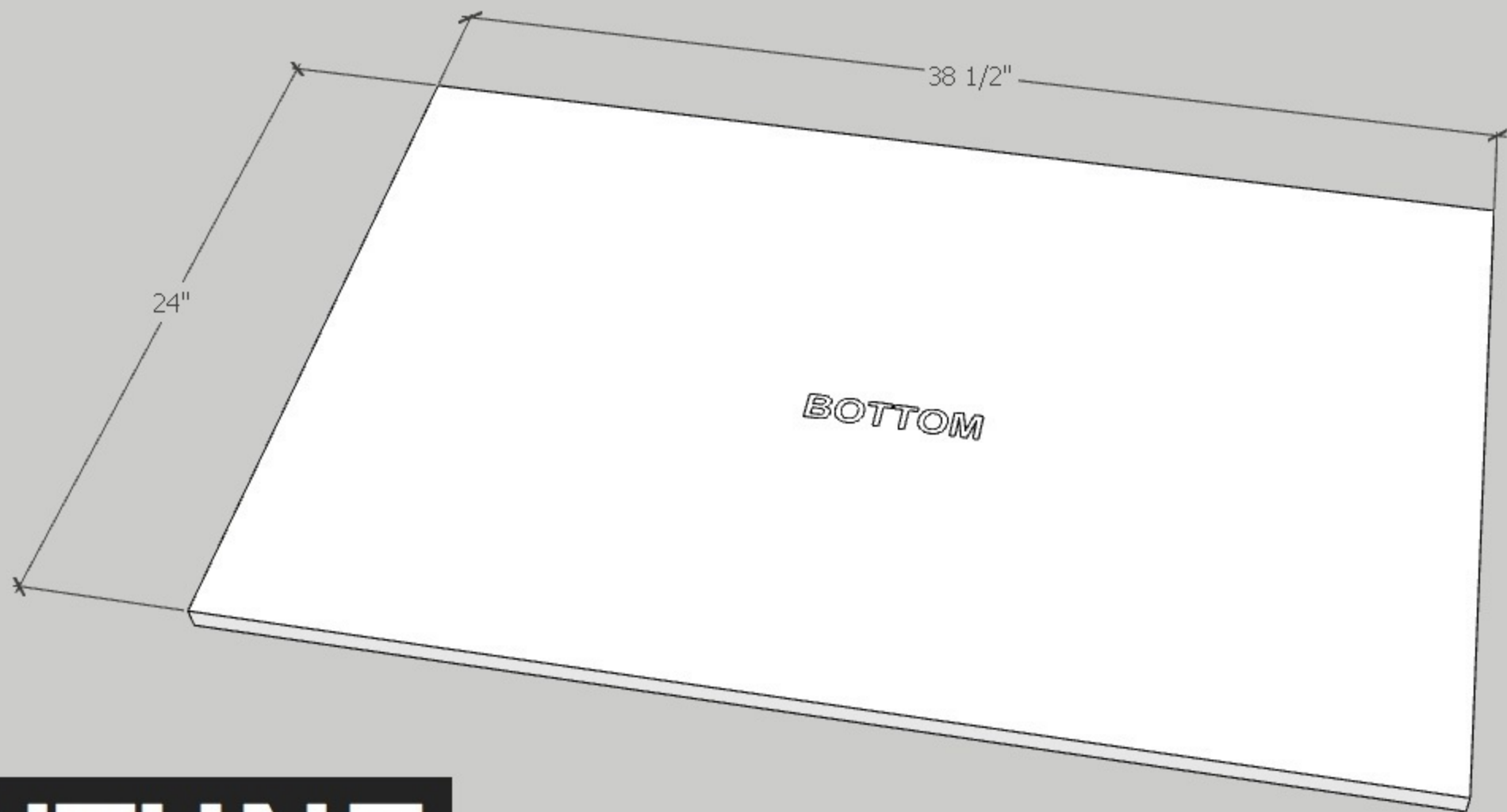


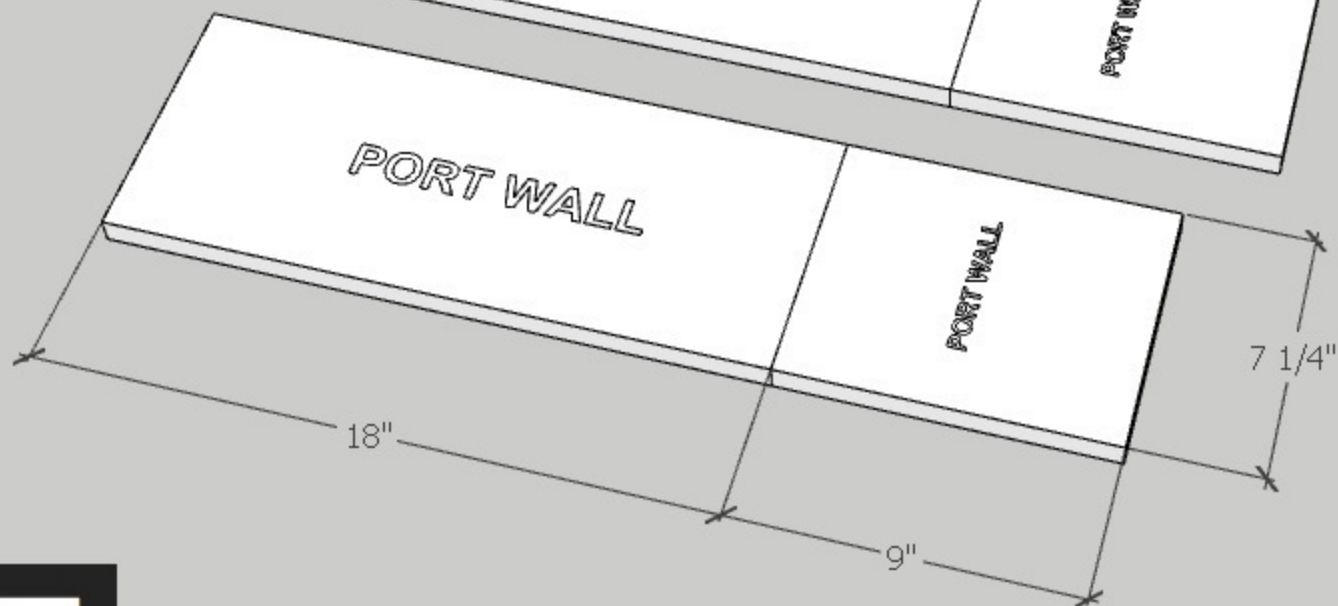
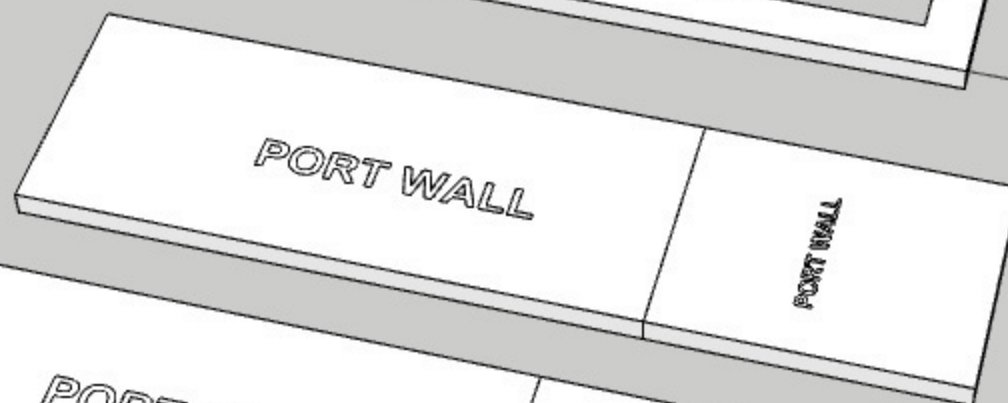
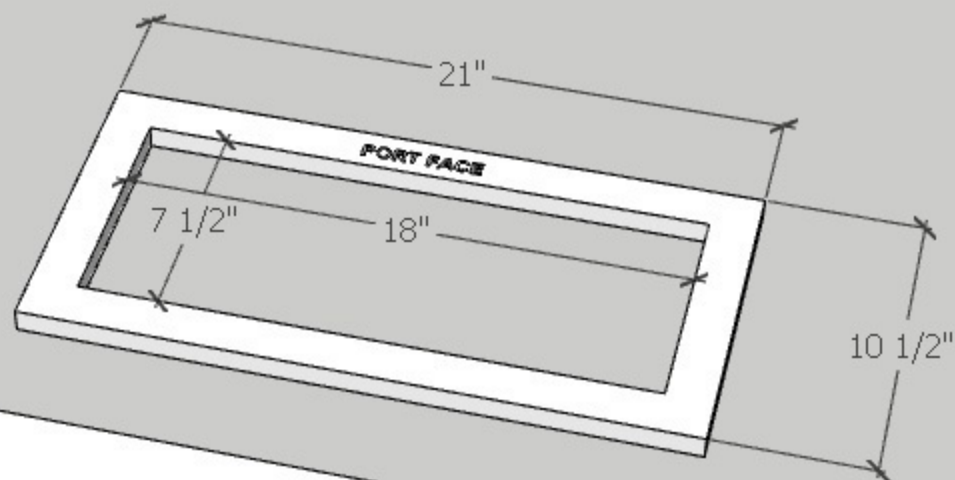
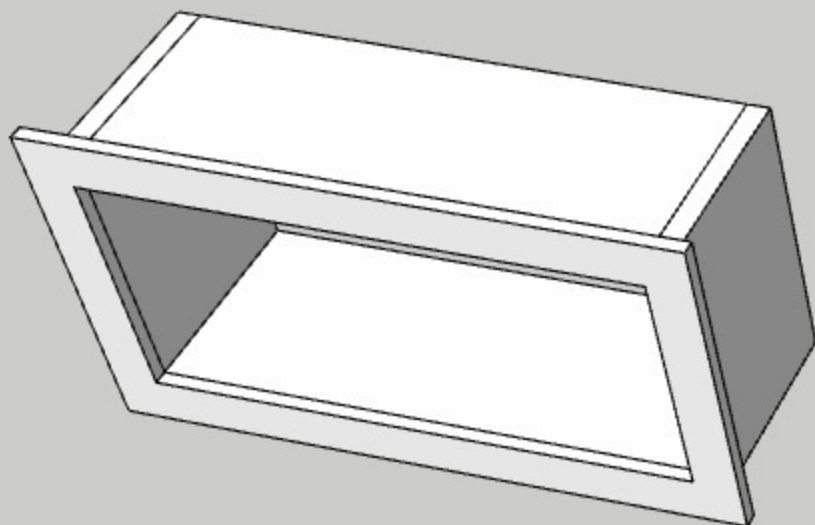


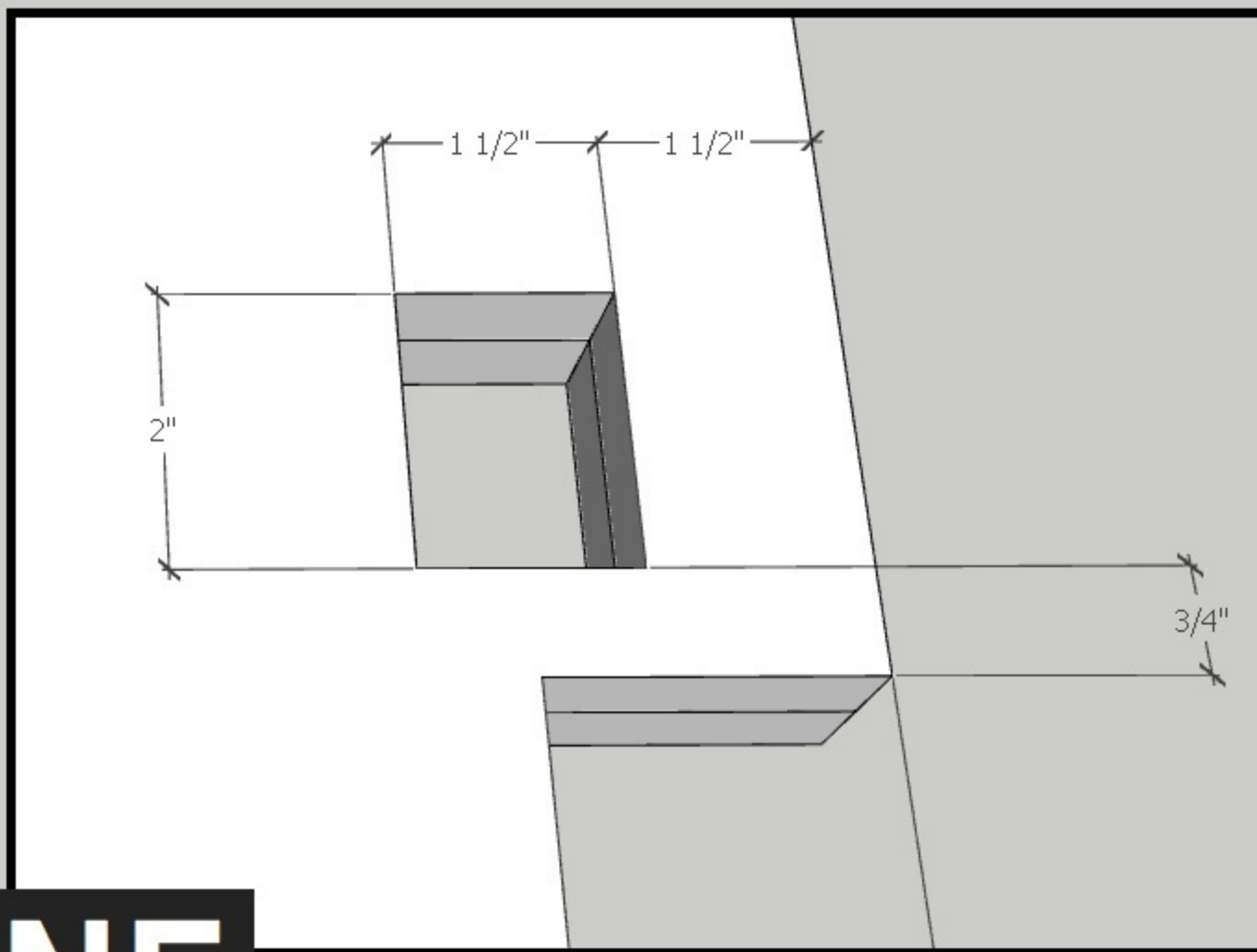
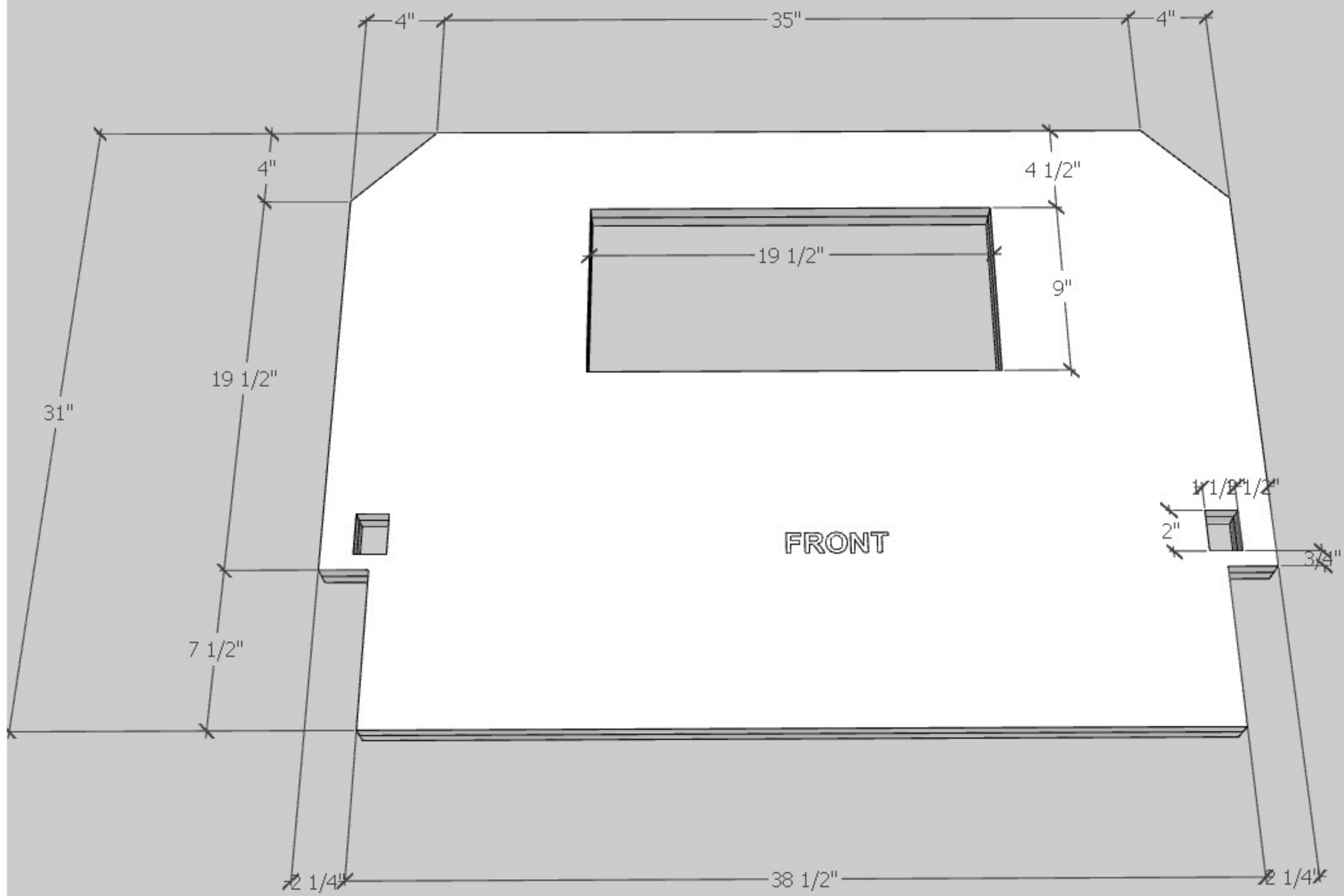


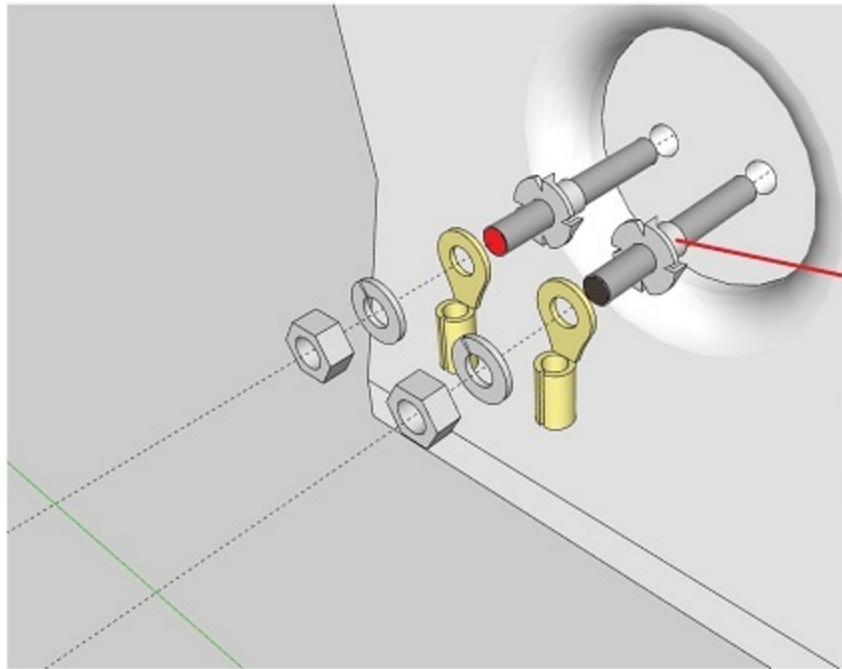


INTUNE
BOX DESIGNS.com





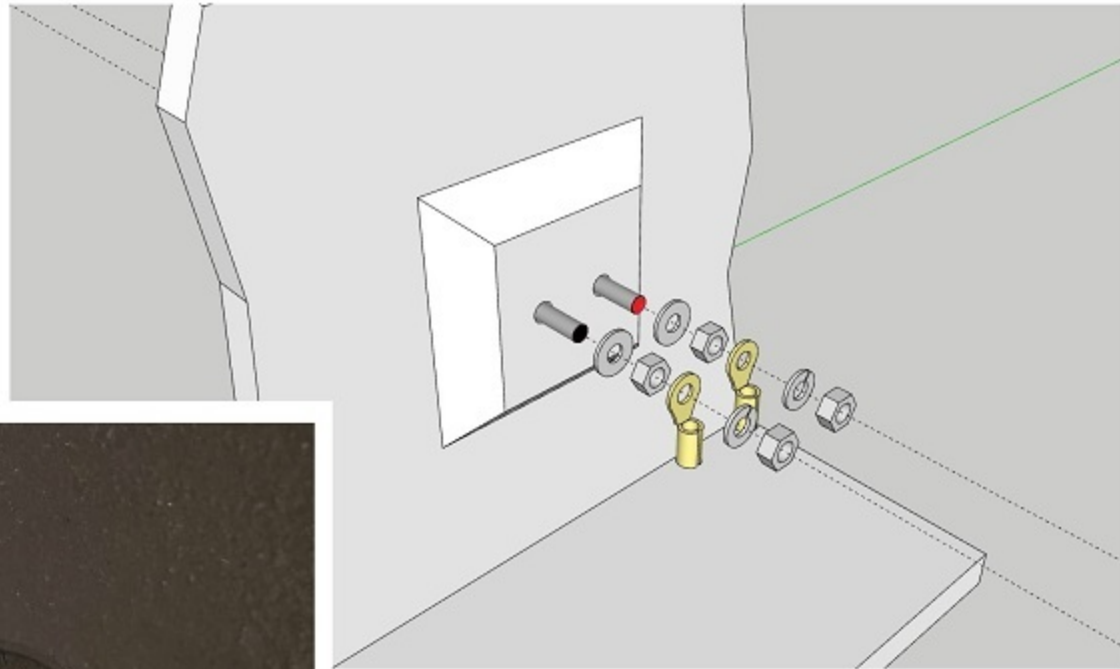




5/16-24 x 2-3/8"
Threaded Rod

5/16-24 x 3/8 T-Nut

Use bolt cutters
to crimp T-nut to stud



"The Perfect Terminal"



INTUNE
BOX DESIGNS.com